

+ Artitech[®]

Air springs



AIR SPRINGS

CATALOGUE



METAL COMPLETE AIR SPRINGS

COMPLETE PLASTIC PISTON

SERVICE ASSEMBLY

BELLOWS AIR SPRINGS

ALUMINUM COMPLETE AIR SPRINGS

www.artitechautomotive.com

Index

METAL COMPLETE AIR SPRINGS **08**

COMPLETE PLASTIC PISTON **46**

SERVICE ASSEMBLY **68**

BELLOWS AIR SPRINGS **104**

ALUMINUM COMPLETE AIR SPRINGS **109**

Our Products



01 Metal Complete Air Springs



02 Complete Plastic Piston



03 Service Assembly



04 Bellows Air Springs



05 Aluminum Complete Air Springs

FOR FUTURE GENERATIONS



ARTITECH Automotive was established in 2018 in BURSA / Kayapa Organized Industrial Zone and entered the sector with the target of 500.000 Units / Year Installed Capacity with High Pressure Steam Technology in a closed area of approximately 4,000 M2. Its distinctive feature is designed and manufactured with the latest technology of industry-specific special machines. In addition, because the main input of the production consists of rubber and its derivatives, climatic storage space is available for these materials.

It has ISO 9001-2015 quality certificate and IATF 16949 – 2016 studies are continuing. It offers its products to its customers with OEM quality level, timely shipment, dynamic and expert staff. It has ISO 14001 environmental certification in order to fulfill its responsibilities for future generations. With its own laboratory, advanced testing techniques and expert staff can perform the following control, development and finished product performance tests.

our mission,

Our experience in the field of suspension systems and technological developments with the ability to apply our quality products continuously developed by offering our customers, society, environment and contribute to the national economy, is to become a respected and global brand.

our vision,

Our aim is to be a company which is among the world leaders in the sector by determining the agenda in the market and competition by meeting the customer expectations, sought, trusted, exemplary and aiming to develop continuously in the automotive sector.

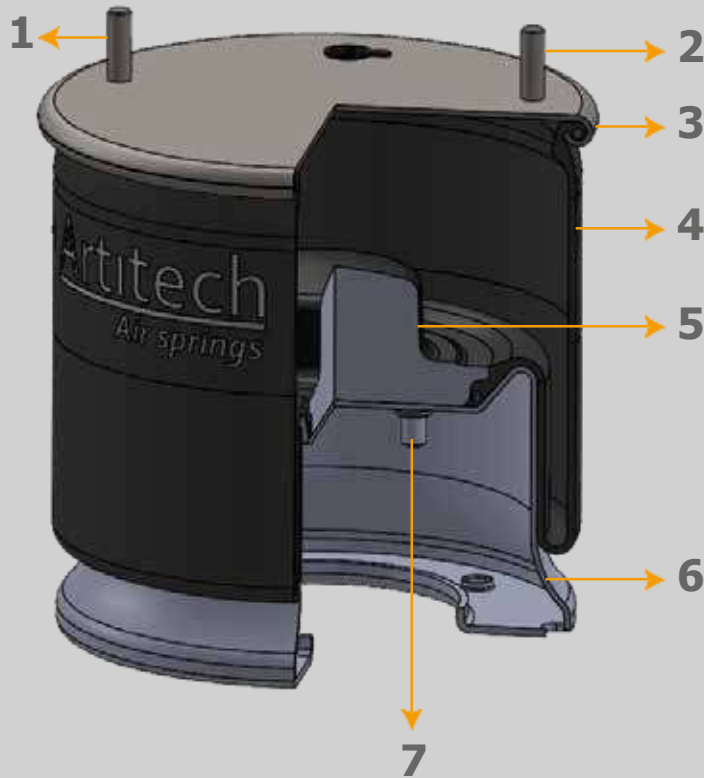
CERTIFICATE



ABOUT US



THE COMPONENTS OF AIR SPRING



The Components of Air Springs

1. Stud:

A connecting element that attaches the air spring to the chassis.

2. Combo Stud:

Combination mounting air spring to the chassis and air fitting.

3. Bead Plate:

A metal part that connects the top side of the air spring to the chassis.

4. Bellows:

The main part of an air spring that made of rubber, absorbs vibration by pressing air.

5. Bumper:

A safety part that prevents damage of the top and bottom metal parts when the air spring suddenly explodes.

6. Piston:

Connects the air spring to the axle; metal, plastic and aluminum versions are available and is set on the bottom of the air spring.

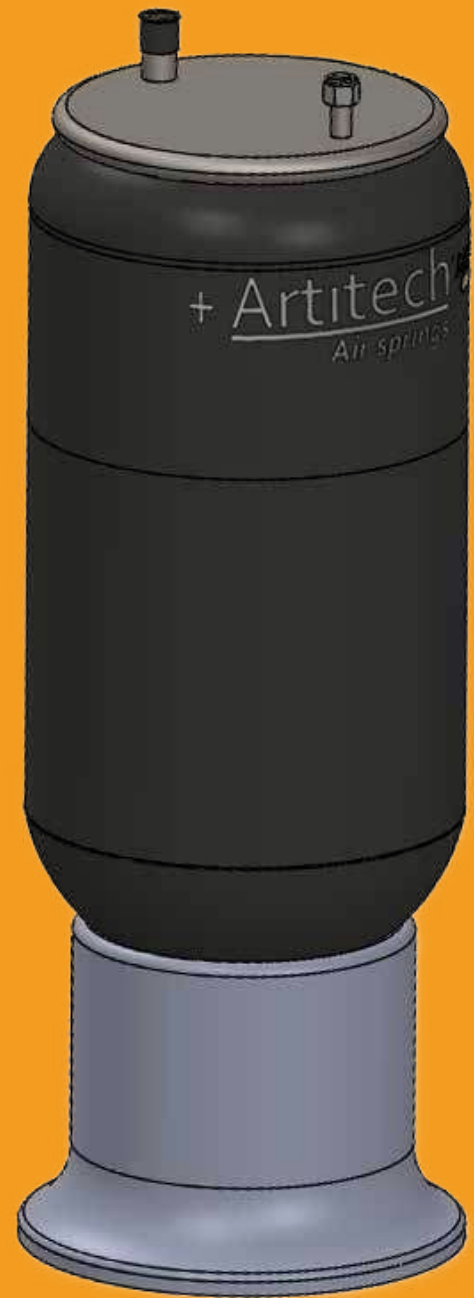
7. Piston Bolt:

A connecting element that provides mounting of the piston to the rubber bellow.

01

METAL COMPLETE

Air Springs



CODE
A4.724.C02

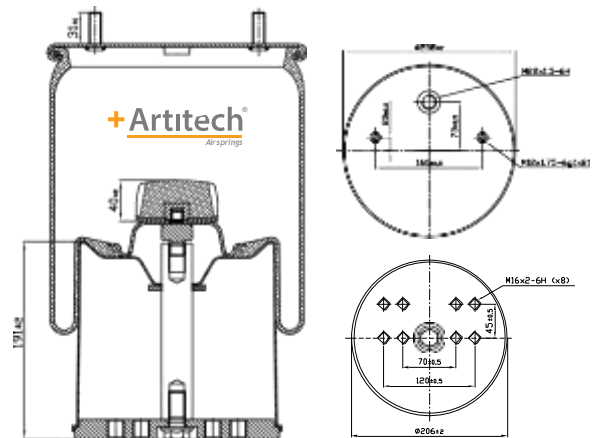
CROSS REFERENCES

CONTITECH 724 N P02

OEM PART NO

GIGANT 166259

Product Explanation | Metal Complete Air Springs



Pallet Quantity : 28

Product Weight : 10,50 Kg.

CODE
A4.725.C02

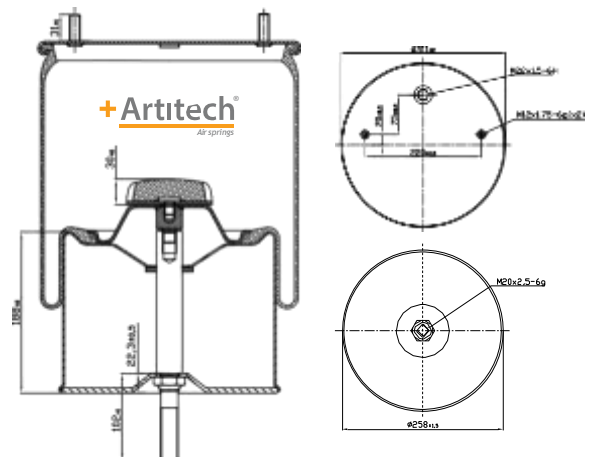
CROSS REFERENCES

CF GOMMA 1TCS 360-45 202964
CONTITECH 725 N P02
DUNLOP D14U38
FIRESTONE 1T66F-10.8
FIRESTONE W01 M58 8969
PHOENIX 1DF32
TAURUS UR 836-11

OEM PART NO

GIGANT 166217
GIGANT 246149

Product Explanation | Metal Complete Air Springs



Pallet Quantity : 18

Product Weight : 12,50 Kg.

CODE
A4.725.C03

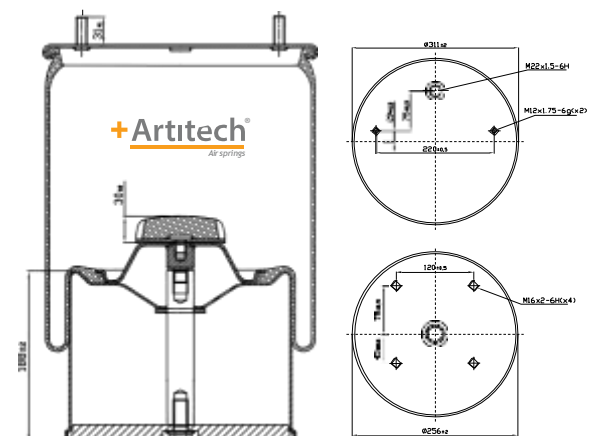
CROSS REFERENCES

CONTITECH 725 N P03
FIRESTONE 1T66F-10.8
FIRESTONE W01 M58 8610

OEM PART NO

GIGANT 166 252

Product Explanation | Metal Complete Air Springs



Pallet Quantity : 18

Product Weight : 12,50 Kg.

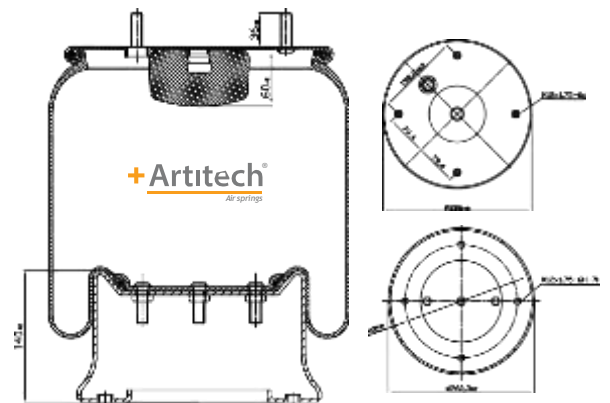
CODE
A4.810.C

CROSS REFERENCES

CF GOMMA	1T19 E-1
CF GOMMA	2 87413/1
CONTITECH	810 MB
DUNLOP FR	D13B20
DUNLOP UK	PNP311780000
FIRESTONE	1T19L-7
FIRESTONE	W01 M58 6345
GOODYEAR	1R14-716
PHOENIX	1D 28 A-2
TAURUS	KR 621-26

OEM PART NO

HENDRICKSON	506243
HENDRICKSON	785168
HENDRICKSON	B 2065
ROR	2120 8032
ROR	2121 5632
SAF HOLLAND	2 228 0002 00
VOLVO	1 080 707
WEWELER	US 00622
WEWELER	US 07337
YORK	785168



Product Explanation | Metal Complete Air Springs

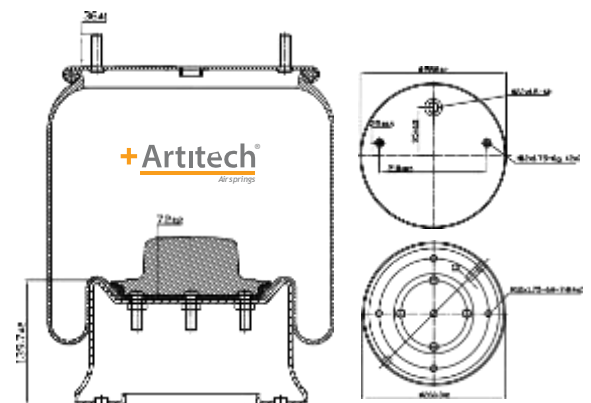
Pallet Quantity : 22

Product Weight : 10,50 Kg.

CODE
A4.810.C03

CROSS REFERENCES

OEM PART NO



Product Explanation | Metal Complete Air Springs

Pallet Quantity : 22

Product Weight : 11,23 Kg.

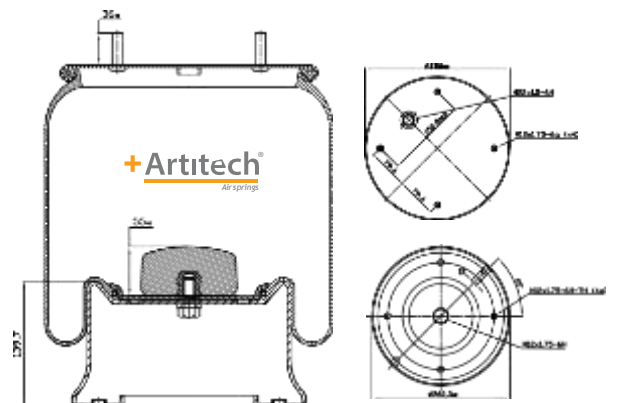
CODE
A4.810.C04

CROSS REFERENCES

CONTITECH	4810 N P04
FIRESTONE	1T19L-7
FIRESTONE	W01 358 9177

OEM PART NO

HENDRICKSON	S2065
R&S TRUCK BODY	1090216
SAF HOLLAND	90557003



Product Explanation | Metal Complete Air Springs

Pallet Quantity : 22

Product Weight : 11 Kg.

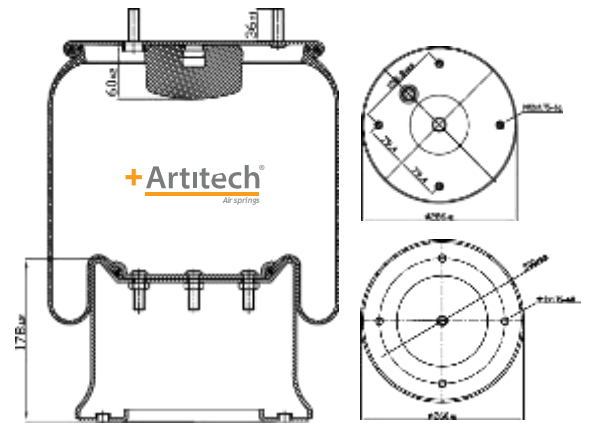
CODE
A4.813.C

CROSS REFERENCES

CONTITECH	813 MB
DUNLOP	D13 B19
FIRESTONE	1T19L-11
FIRESTONE	W01 M58 6364
GOODYEAR	1R14-705
PHOENIX	1D 28 B-2
TAURUS	KR 622-26

OEM PART NO

FRUEHAUF	003615E
HENDRICKSON	505859
HENDRICKSON	785170
HENDRICKSON	B2063
KASSBOHRER	4 731.030 000
KASSBOHRER	4 731.033 000
ROR	2121 5633
SAFHOLLAND	2229 0003 00
WEWELER	US07345
WEWELER	US87408



Product Explanation | Metal Complete Air Springs

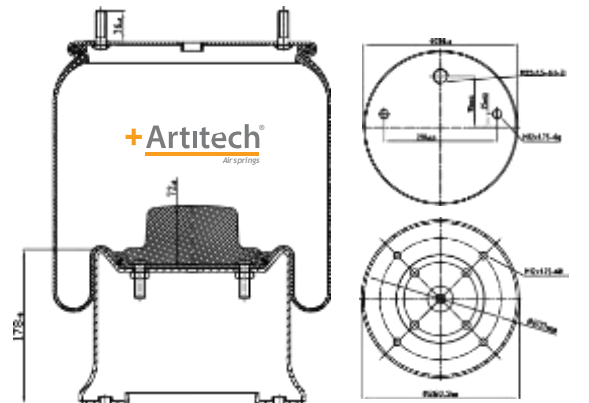
Pallet Quantity : 22

Product Weight :12 Kg.

CODE
A4.813.C01

CROSS REFERENCES

OEM PART NO



Product Explanation | Metal Complete Air Springs

Pallet Quantity : 22

Product Weight : 12,00 Kg.

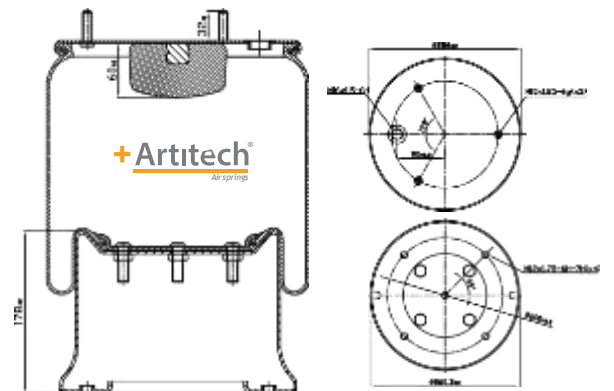
CODE
A4.813.C17

CROSS REFERENCES

CF GOMMA	1T19 E-2
FIRESTONE	1T19L-11
FIRESTONE	W01 M58 6361
GOODYEAR	1R14-706
PHOENIX	1 DK28 B-7

OEM PART NO

BARTOLETTI	91619011
CARDI	580 50700
VIBERTI	128147102
ZORZI	1006553



Product Explanation | Metal Complete Air Springs

Pallet Quantity : 22

Product Weight : 13,50 Kg.

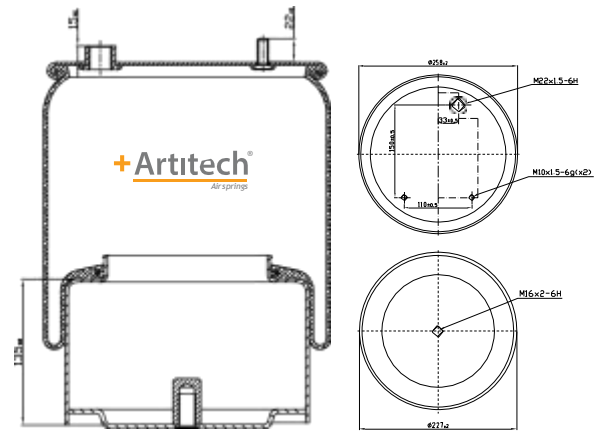
CODE
A4.836.C10

CROSS REFERENCES

CONTITECH 836 N P10

OEM PART NO

DAF 1 794 420



Product Explanation | Metal Complete Air Springs

Pallet Quantity : 36

Product Weight : 7,7 Kg.

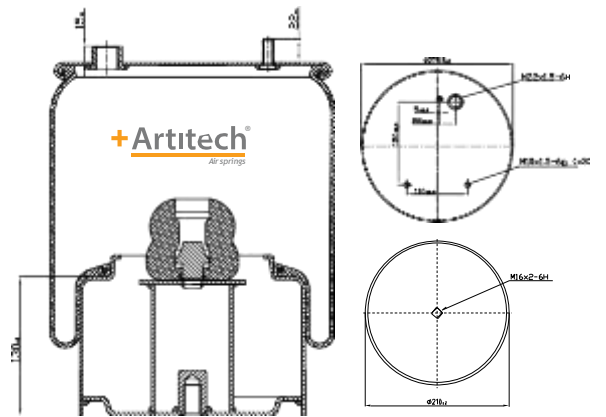
CODE
A4.836.C14

CROSS REFERENCES

CONTITECH 836 N P14

OEM PART NO

VDL BUS 45015337
VDL BUS 5015337



Product Explanation | Metal Complete Air Springs

Pallet Quantity : XX

Product Weight : 8,80 Kg.

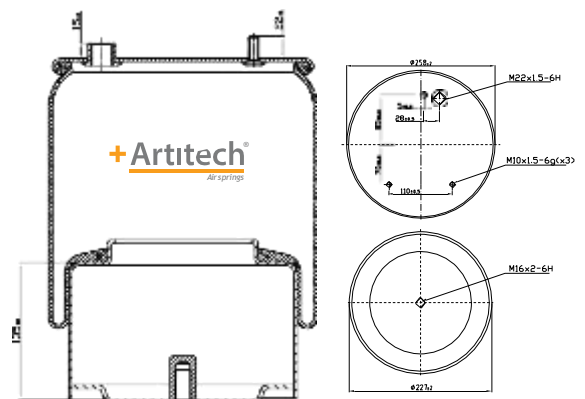
CODE
A4.836.C16

CROSS REFERENCES

CONTITECH 836 N P06
836 N P06

OEM PART NO

VDL BUS 1 152 221
VDL BUS 1 153 934



Product Explanation | Metal Complete Air Springs

Pallet Quantity : 36

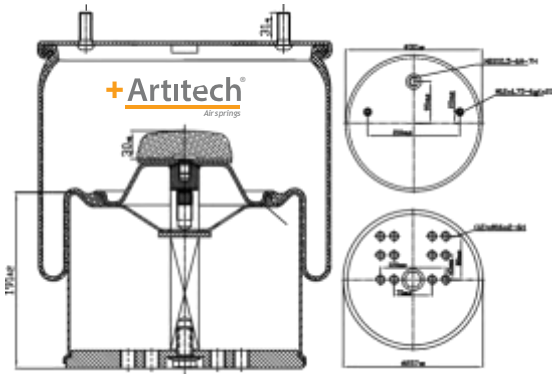
Product Weight :9,50Kg.

CODE
A4.836.C50

CROSS REFERENCES

OEM PART NO

Product Explanation | Metal Complete Air Springs



Pallet Quantity : 36

Product Weight : XX Kg.

CODE
A4.881.C

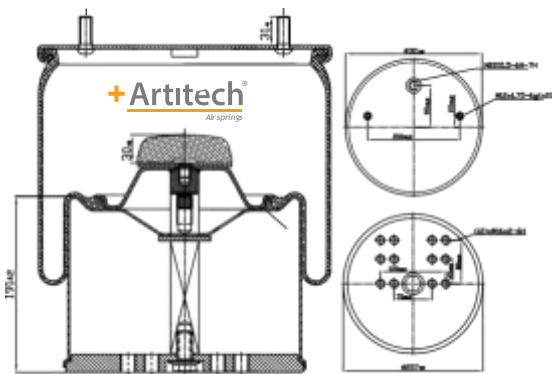
CROSS REFERENCES

OEM PART NO

CF GOMMA 1TC 360-45
CONTITECH 881 MB
FIRESTONE 1T66F-10.8
FIRESTONE W01 M58 8966
GOODYEAR 1R14-712

BPW 05 429 40 08 1
BPW 05 429 40 54 0
BPW 05 429 41 36 1
BPW TYPE 36

Product Explanation | Metal Complete Air Springs



Pallet Quantity : 18

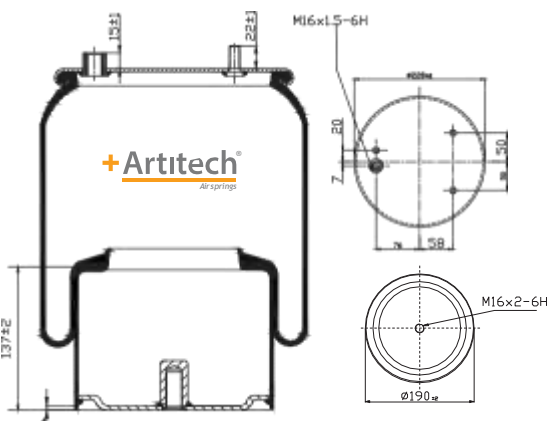
Product Weight :17 Kg.

CODE
A4.887.C01

CROSS REFERENCES

BLACKTECH	RML7998C1
BLACKTECH	RML7998-2C1
CONTITECH	887 M K1
FIRESTONE NO.	W01-M58-8683
FIRESTONE STYLE	1T15LNR-3
GOODYEAR	1R11-798
GOODYEAR FLEX NO.	566-22-3-533
NEOTEC	ABM 214 28 A 01
PRIME-RIDE NEW	1R11-798
PRIME-RIDE NEW FLEX NO.	566-22-3-533
SPRINGRIDE	1R11-798
SPRINGRIDE FLEX	566-22-3-533
VIBRACOUSTIC	V1DF18-2

Product Explanation | Metal Complete Air Springs



Pallet Quantity : 39

Product Weight :6 Kg.

CODE
A4.887.C09

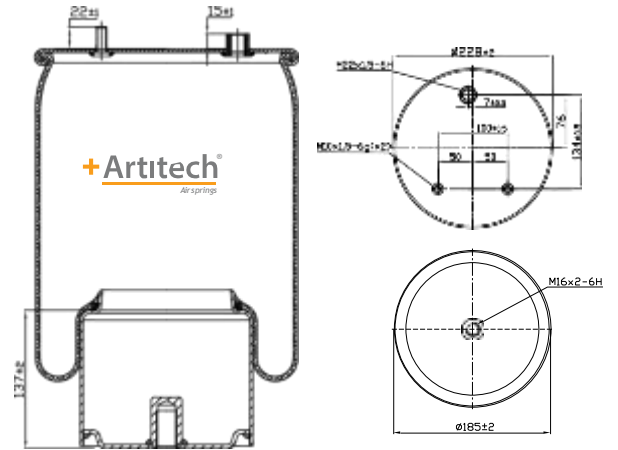
CROSS REFERENCES

CONTITECH 887 N P09

OEM PART NO

DAF 1 794 425

Product Explanation | Metal Complete Air Springs



Pallet Quantity : 39

Product Weight : 6 Kg.

CODE
A4.887.C33

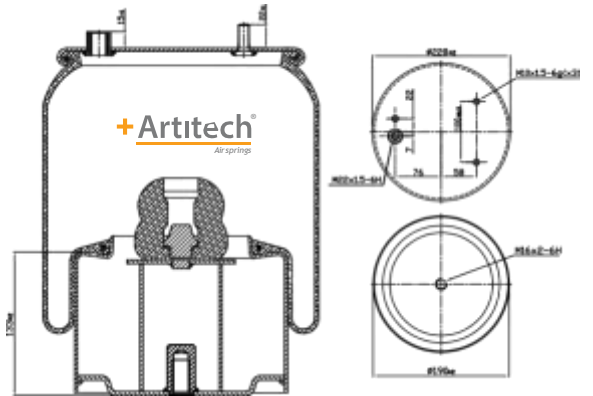
CROSS REFERENCES

CONTITECH 887 N P03

OEM PART NO

VDL BUS 1 153 935

Product Explanation | Metal Complete Air Springs



Pallet Quantity : 39

Product Weight : 8 Kg.

CODE
A4.887.C66

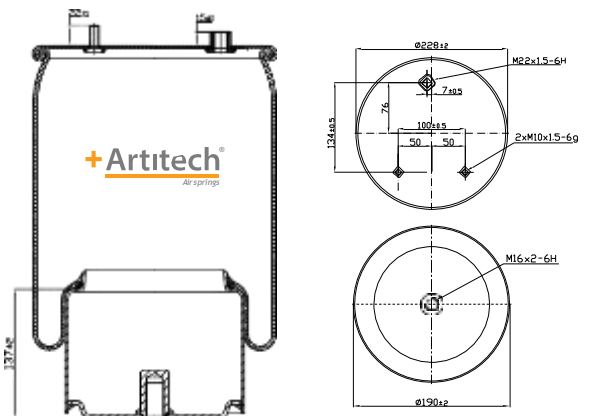
CROSS REFERENCES

CONTITECH 887 N P06

OEM PART NO

DAF 1 794 428

Product Explanation | Metal Complete Air Springs



Pallet Quantity : 39

Product Weight : 6 Kg.

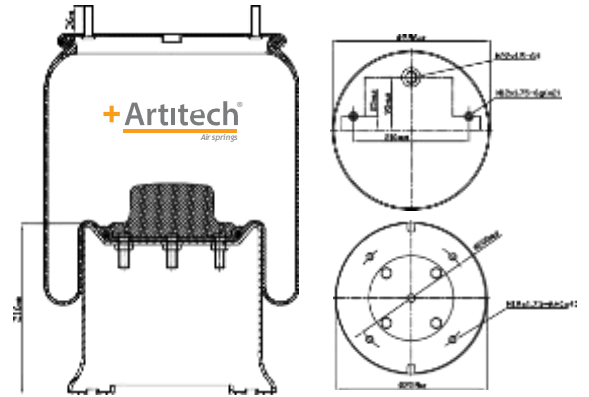
CODE
A4.912.C01

CROSS REFERENCES

CONTITECH	912 N P01
FIRESTONE	1T19L-14
FIRESTONE	W01 M58 8502

OEM PART NO

SAF HOLLAND	3 229 0030 00
WEWELER	US 07385



Product Explanation | Metal Complete Air Springs

Pallet Quantity : 19

Product Weight : 14,50 Kg.

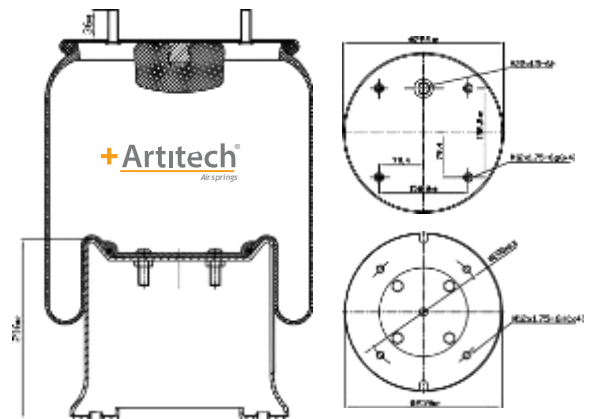
CODE
A4.912.C02

CROSS REFERENCES

CF GOMMA	1T19 E-4
CONTITECH	912 N P02
DUNLOP	D13 B03
FIRESTONE	1T19L-14
FIRESTONE	W01 M58 8766
GOODYEAR	1R14-758
PHOENIX	1D 28 D2

OEM PART NO

HENDRICKSON	507782
ROR	2122 2673
SAF HOLLAND	2926 (F14)
SAF HOLLAND	3 229 0013 00
WEWELER	US 96681



Product Explanation | Metal Complete Air Springs

Pallet Quantity : 19

Product Weight : 15 Kg.

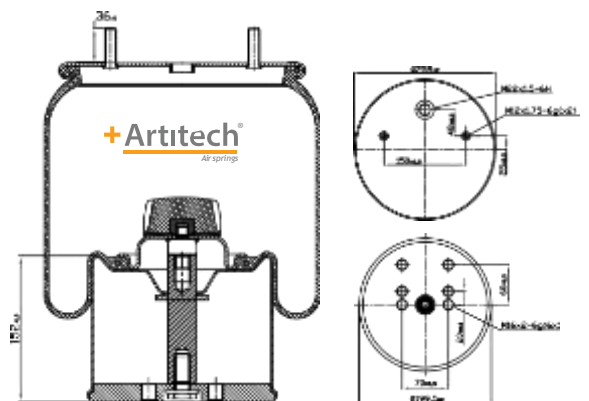
CODE
A4.940.C

CROSS REFERENCES

CONTITECH	940 MB
FIRESTONE	1T17D-4,3
FIRESTONE	W01 M58 8609
GOODYEAR	1R11-763
SPRINGRIDE	D11B39

OEM PART NO

BPW	05 429 40 93 1
BPW	05 429 41 14 1
BPW	05 429 41 23 1
BPW	05 429 42 19 1



Product Explanation | Metal Complete Air Springs

Pallet Quantity : 19

Product Weight : 11,50 Kg.

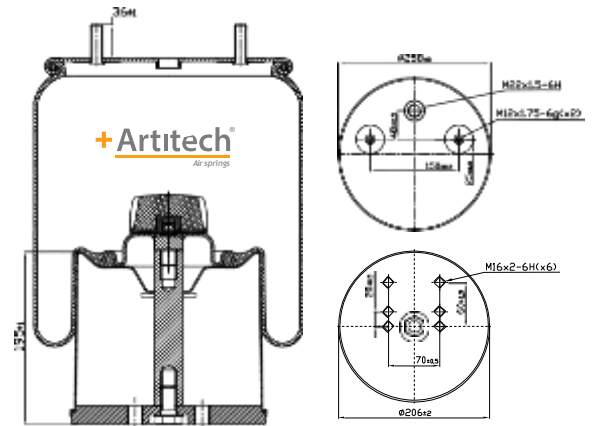
CODE
A4.941.C

CROSS REFERENCES

CONTITECH	941 MB
DUNLOP FR	D11B38
FIRESTONE	1T17D-8.3
FIRESTONE	W01 M58 8619
GOODYEAR	1R11-762
PHOENIX	1DK 21
TAURUS	KR 730-01

OEM PART NO

BPW	05 429 40 28 1
BPW	05 429 40 59 1
BPW	05 429 41 24 1



Product Explanation | Metal Complete Air Springs

Pallet Quantity : 28

Product Weight :12,30 Kg.

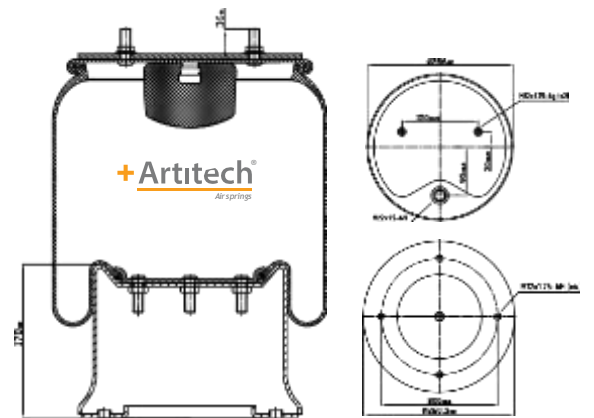
CODE
A4.1285.C

CROSS REFERENCES

FIRESTONE	1T19L
1T19L	
FIRESTONE	W01 M58 8107
GART	287.4.541
GOODYEAR	1R14-784
GOODYEAR	1R14-812
PHOENIX	1 D 28 F-5

OEM PART NO

SCANIA	2198324
SCANIA	US 04029P
SCHMITZ	017 089
SCHMITZ	017 685
WEWELER	US 04031 P
WEWELER	YP4031N-F



Product Explanation | Metal Complete Air Springs

Pallet Quantity : 22

Product Weight :15 Kg.

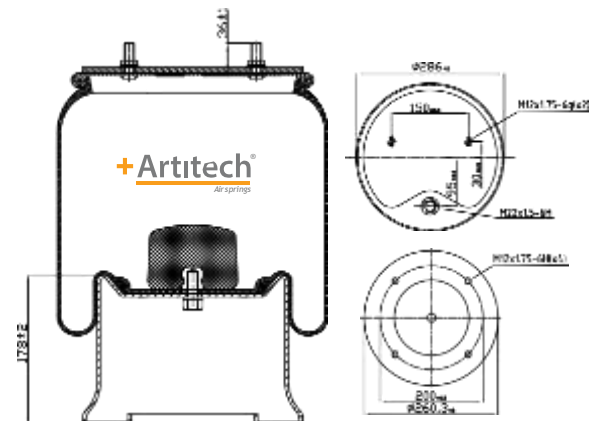
CODE
A4.1285.C02

CROSS REFERENCES

PRIMERIDE NEW	1R14784
PRIMERIDE NEW	1R14812
PRIMERIDE NEW FLEX NO.	566-283-529
PRIMERIDE NEW FLEX NO.	566-283-540
BLACKTECH	RML74031C
BLACKTECH	RML7688C
DUNLOP	D14B49
FIRESTONE NO.	W01 M58 8107
FIRESTONE STYLE	1T19-11
GOODYEAR	1R14784
GOODYEAR	1R14812
GOODYEAR FLEX NO.	566-283-529
GOODYEAR FLEX NO.	566-283-540
NEOTEC	ABM74435K45
SPRINGRIDE	1R14784
SPRINGRIDE	1R14812
SPRINGRIDE FLEX	566-283-529
SPRINGRIDE FLEX	566-283-540
VIBRACOUSTIC	V1D28F-5

OEM PART NO

SCHMITZ	017 089
SCHMITZ	017 685
WEWELER	US 04029P
WEWELER	US 04031P
WEWELER	YP4031N-F



Product Explanation | Metal Complete Air Springs

Pallet Quantity : 22

Product Weight : 15 Kg.

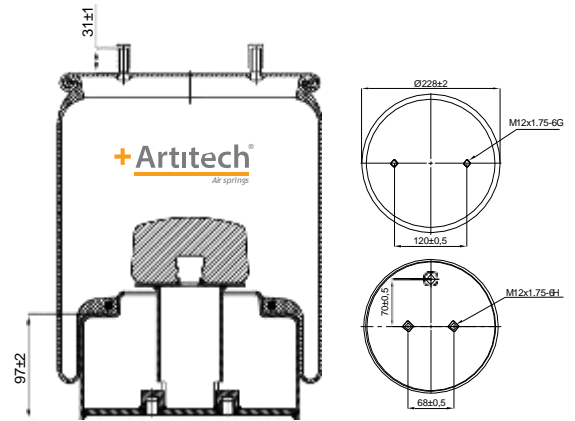
CODE
A4.1410.C

CROSS REFERENCES

--

OEM PART NO

ISUZU 3874531141



Product Explanation | Metal Complete Air Springs

Pallet Quantity : 39

Product Weight : 5,60 Kg.

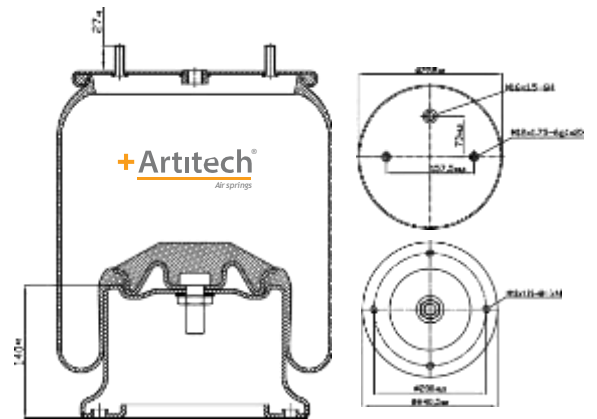
CODE
A4.1740.C

CROSS REFERENCES

GOODYEAR 1R11-740

OEM PART NO

DAF 1616000
HENDRICKSON HA100310



Product Explanation | Metal Complete Air Springs

Pallet Quantity : 36

Product Weight :9,70 Kg.

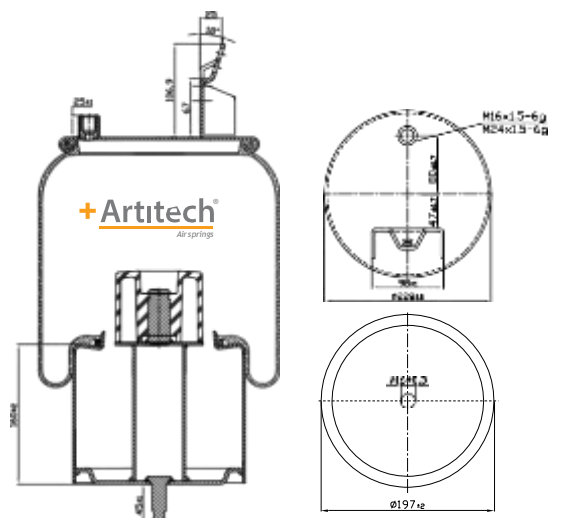
CODE
A4.1857.C

CROSS REFERENCES

CONTITECH 6630 N P01
GOODYEAR 1R11-814
GOODYEAR 1R11-857
GOODYEAR 1R11-875
GOODYEAR 1R11-906

OEM PART NO

VOLVO 20 909 150
VOLVO 21 977 973



Product Explanation | Metal Complete Air Springs

Pallet Quantity : 36

Product Weight : 9 Kg.

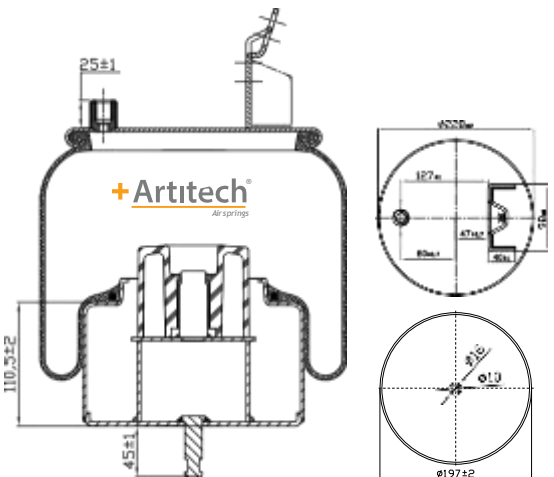
CODE
A4.1859.C

CROSS REFERENCES

GOODYEAR 1R11-816
GOODYEAR 1R11-859
GOODYEAR 1R11-880

OEM PART NO

RENAULT RVI 20 909 153
20 909 153
RENAULT RVI 21 978 492
21 978 492
RENAULT RVI 7420909153
7420909153
RENAULT RVI 7421978492
7421978492



Product Explanation | Metal Complete Air Springs

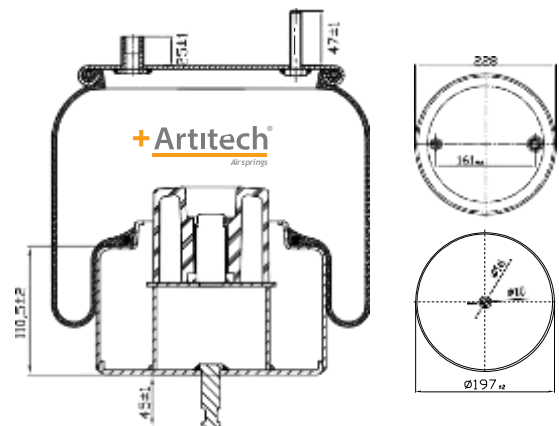
Pallet Quantity : 36

Product Weight :7,50 Kg.

CODE
A4.1859.C02

CROSS REFERENCES

OEM PART NO



Product Explanation | Metal Complete Air Springs

Pallet Quantity : 36

Product Weight :7 Kg.

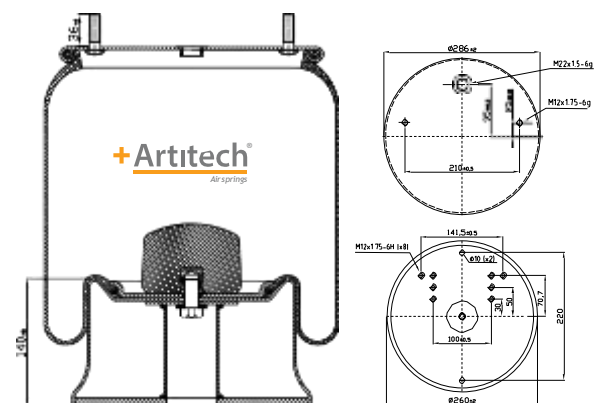
CODE
A4.2813.C

CROSS REFERENCES

FIRESTONE 1T19L-7
FIRESTONE W01 M58 6222
GOODYEAR 1R14-825
PHOENIX 1D28 A-13
VIBRACOUSTIC V1DK28A-13

OEM PART NO

DAIMLER TAS A 946 328 1901
WEWELER US07337RP



Product Explanation | Metal Complete Air Springs

Pallet Quantity : 22

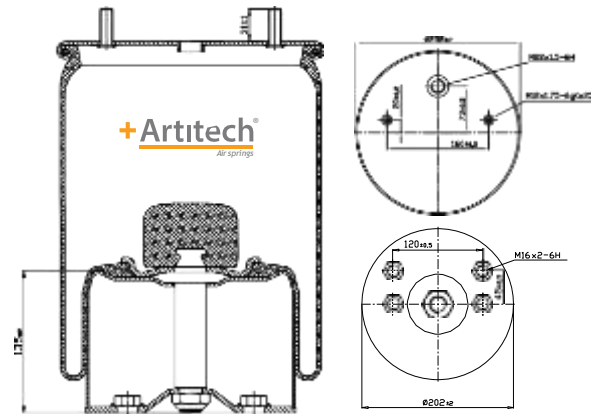
Product Weight : 13,50 Kg.

CODE
A4.3042.C02

CROSS REFERENCES

OEM PART NO

GIGANT 166271
GIGANT 247104, 3042



Product Explanation | Metal Complete Air Springs

Pallet Quantity : 22

Product Weight :8,80 Kg.

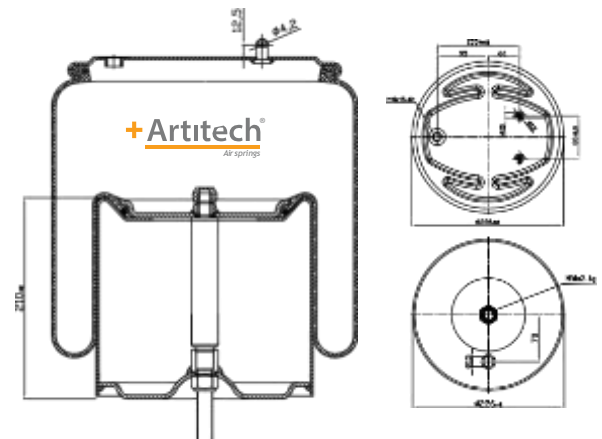
CODE
A4.3608.C

CROSS REFERENCES

OEM PART NO

CONTITECH 6700 N P02

SCANIA 1903608



Product Explanation | Metal Complete Air Springs

Pallet Quantity : 22

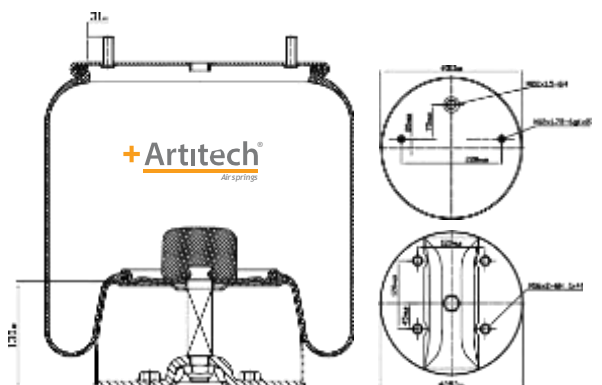
Product Weight : 12 Kg.

CODE
A4.3642.C

CROSS REFERENCES

OEM PART NO

GIGANT 247103



Product Explanation | Metal Complete Air Springs

Pallet Quantity : 18

Product Weight :13 Kg.

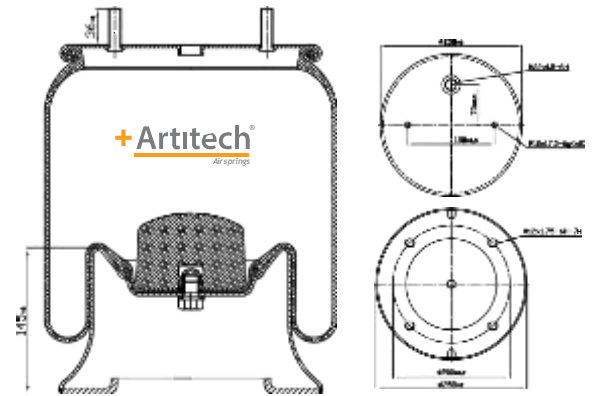
CODE
A4.4004.C03

CROSS REFERENCES

CF GOMMA	1T300-37, 1T323-33
CONTITECH	4004 N P05
DUNLOP	D12B13/14
GOODYEAR	1R11-706
PHOENIX	1DK22E5
TAURUS	KR505-27SM

OEM PART NO

SAF HOLLAND	2.229.0007.00
SAF HOLLAND	2.229.0007.01
SAF HOLLAND	3.229.0007.00
SAF HOLLAND	3.229.0007.00
SAF HOLLAND	3.229.0007.02



Product Explanation | Metal Complete Air Springs

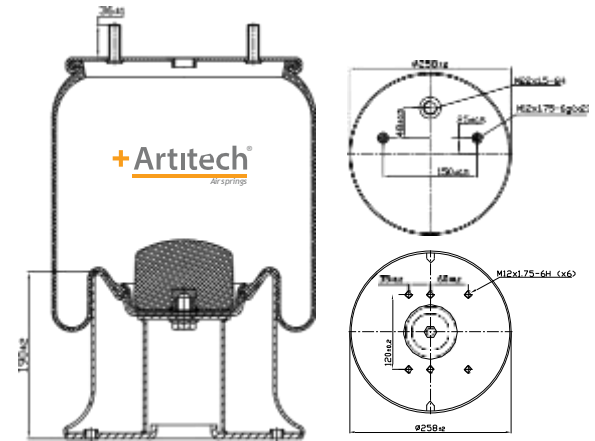
Pallet Quantity : 28

Product Weight : 9,3Kg.

CODE
A4.4022.C02

CROSS REFERENCES

OEM PART NO



Product Explanation | Metal Complete Air Springs

Pallet Quantity : 28

Product Weight : 10 Kg.

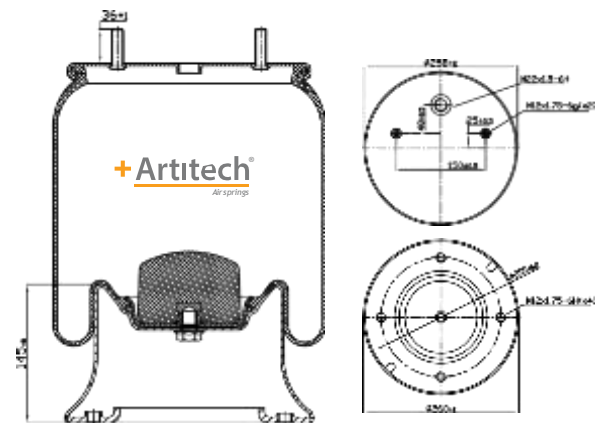
CODE
A4.4022.C03

CROSS REFERENCES

CF GOMMA	1T 300-37 204677
CONTITECH	4022 N P03
DUNLOP	D12B26
FIRESTONE	1T17BS-6
FIRESTONE	W01 M58 6367
GOODYEAR	1R11-710
PHOENIX	1DK22 E-9

OEM PART NO

SAF HOLLAND	3.229.0029.00
SAF HOLLAND	3.229.2129.00
SAF HOLLAND	3.229.2129.00
SAF HOLLAND	3.229.2429.00



Product Explanation | Metal Complete Air Springs

Pallet Quantity : 28

Product Weight : 9,20 Kg.

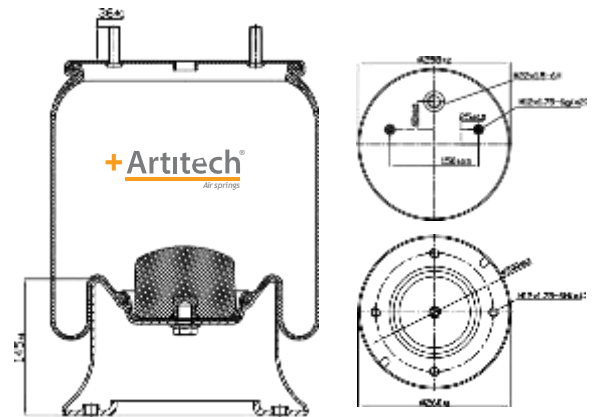
CODE
A4.4023.C03

CROSS REFERENCES

CF GOMMA	1T19 E-2 204676
CONTITECH	4023 N P03
FIRESTONE	1T19L-11
FIRESTONE	W01 M58 6348
GART	D277 277.4505
GOODYEAR	1R14-729
PHOENIX	1D28 B-10
SPRINGRIDE	D13B26
VIBRACOUSTIC	V1D28 B-10

OEM PART NO

SAFHOLLAND	3 229 2131 00
SAFHOLLAND	3 229 2231 00
SAFHOLLAND	3 229 2431 00
SAFHOLLAND	3.229.0031.00



Product Explanation | Metal Complete Air Springs

Pallet Quantity : 22

Product Weight :12 Kg.

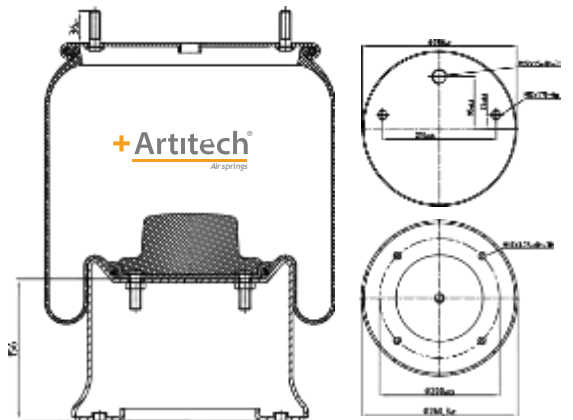
CODE
A4.4028.C02

CROSS REFERENCES

CONTITECH	4028 N P02
FIRESTONE	1T19L-12
FIRESTONE	W01 968 8106
FIRESTONE	W01 M58 8106
GOODYEAR	1R14-782
PHOENIX	1D28 F-1
SPRINGRIDE	D14B47
VIBRACOUSTIC	V1D28 F-1

OEM PART NO

SCANIA	2198335
SCHMITZ	015 323
SMB	9377008
VALX	80131003
WEWELER	US 04028
WEWELER	US 04028C
WEWELER	US 04028F
WEWELER	YP4028N2-F



Product Explanation | Metal Complete Air Springs

Pallet Quantity : 22

Product Weight : 12,50 Kg.

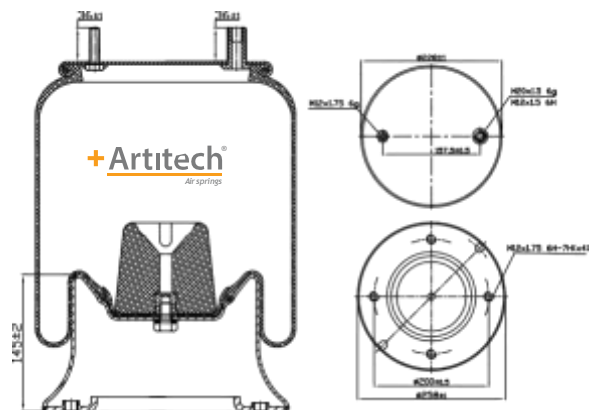
CODE
A4.4156.C06

CROSS REFERENCES

CONTITECH	4156 N P06
DUNLOP	D12B19
GOODYEAR	1R12-719
PHOENIX	1DK 21 A-2
TAURUS	KR 506-28

OEM PART NO

MERITOR (ROR)	2121 5761
MERITOR (ROR)	2121 6135
NEWAY	905 57075
WEWELER	US 35864



Product Explanation | Metal Complete Air Springs

Pallet Quantity : 22

Product Weight :8,80 Kg.

CODE
A4.4159.C03

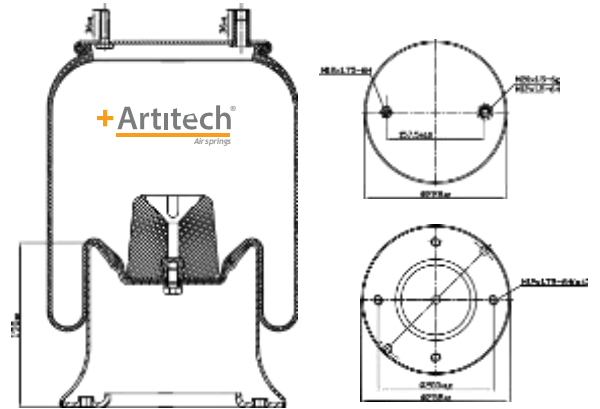
CROSS REFERENCES

CF GOMMA	1T 323-40
CONTITECH	4159 N P03
DUNLOP	D12B01
FIRESTONE	1T15M-9
FIRESTONE	W01 M58 8859
PHOENIX	1DK 21 B-4

OEM PART NO

FRUEHAUF	UJA 0894
FRUEHAUF	UJB 0203

Product Explanation | Metal Complete Air Springs



Pallet Quantity : 28

Product Weight : 9,60 Kg.

CODE
A4.4159.C06

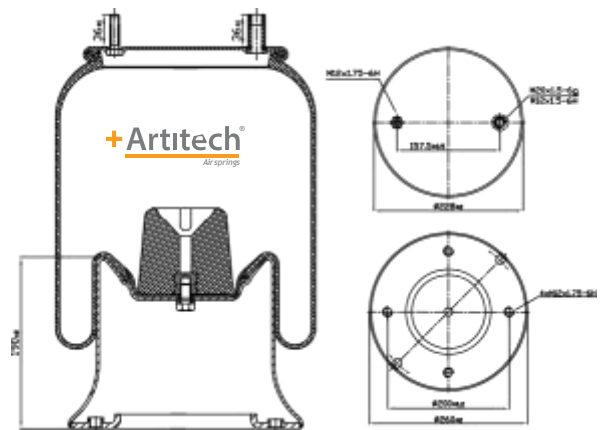
CROSS REFERENCES

CONTITECH	4159 N P06
-----------	------------

OEM PART NO

FRUEHAUF	UJA 0894-001
ROR	2121 5891

Product Explanation | Metal Complete Air Springs



Pallet Quantity : 28

Product Weight : 11 Kg.

CODE
A4.4159.C07

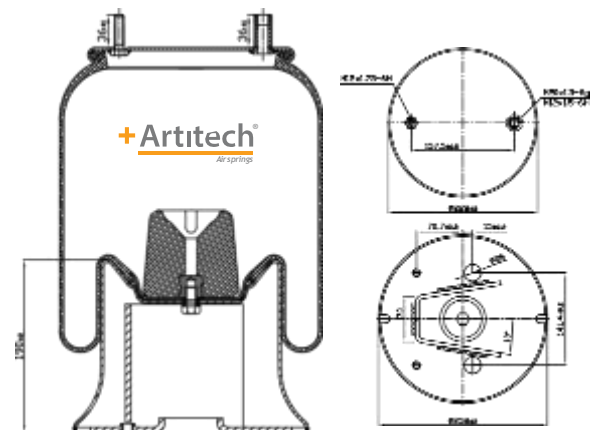
CROSS REFERENCES

CF GOMMA	1T 323-40 202302
CONTITECH	4159 N P07
DUNLOP	D12B15
FIRESTONE	1T15M-9
FIRESTONE	W01 379 9071
FIRESTONE	W01 M58 8859
GOODYEAR	1R12-702
PHOENIX	1DK 21 B-6
TAURUS	KR 509-25

OEM PART NO

FRUEHAUF	UJB 0203
----------	----------

Product Explanation | Metal Complete Air Springs



Pallet Quantity : 28

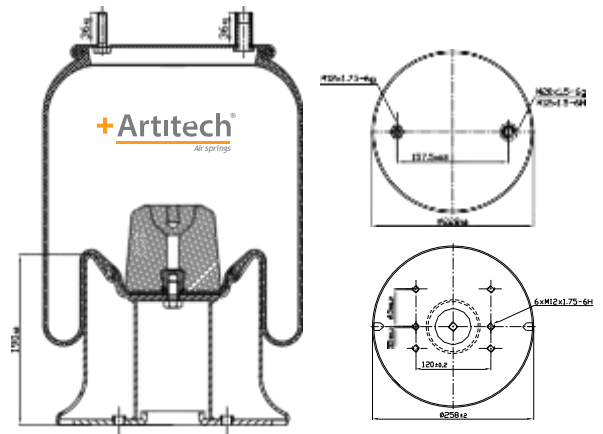
Product Weight : 11 Kg.

CODE
A4.4159.C14

CROSS REFERENCES

OEM PART NO

Product Explanation | Metal Complete Air Springs



Pallet Quantity : 28

Product Weight :XX Kg.

CODE
A4.4183.C01

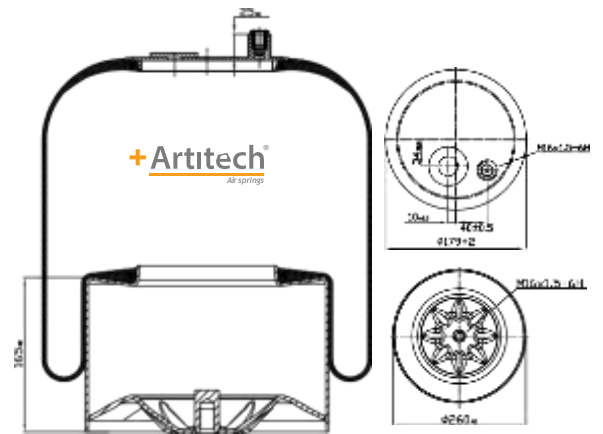
CROSS REFERENCES

CONTITECH 4183 N P23

OEM PART NO

MERCEDES A 942 320 2221

Product Explanation | Metal Complete Air Springs



Pallet Quantity : 28

Product Weight :8,8 Kg.

CODE
A4.4183.C23

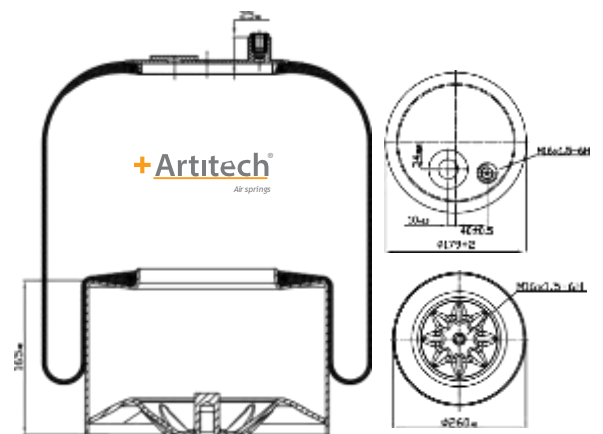
CROSS REFERENCES

GOODYEAR 9567
PHOENIX 1 KF 32-23
PRIME-RIDE NEW 9567
SPRINGRIDE 9567

OEM P, RT NO

MERCEDES 942 320 13 21
OE NO.
MERCEDES 942 320 22 21
OE NO.
MERCEDES A 942 320 13 21
OE NO.
MERCEDES A 942 320 13 21
OE NO.
MERCEDES A 942 320 68 21
OE NO.
MERCEDES A 942 320 22 21
OE NO.
MERCEDES A 942 320 68 21
OE NO.
MERCEDES A 942 320 22 21
OE NO.

Product Explanation | Metal Complete Air Springs



Pallet Quantity : 22

Product Weight :8,8 Kg.

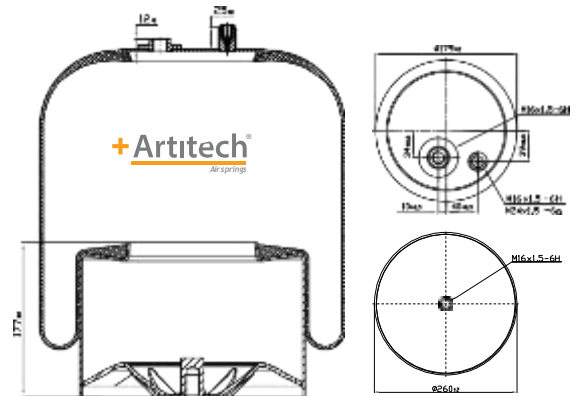
CODE
A4.4183.C24

CROSS REFERENCES

CONTITECH 4183 N P24

OEM PART NO

MERCEDES A 942 320 2321



Product Explanation | Metal Complete Air Springs

Pallet Quantity : 22

Product Weight : 8,80 Kg.

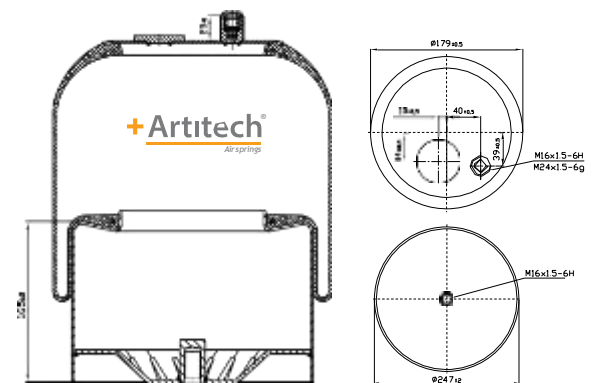
CODE
A4.4185.C01

CROSS REFERENCES

CONTITECH 4185 N P01

OEM PART NO

MERCEDES A 974 320 0021



Product Explanation | Metal Complete Air Springs

Pallet Quantity : 22

Product Weight : 8,50 Kg.

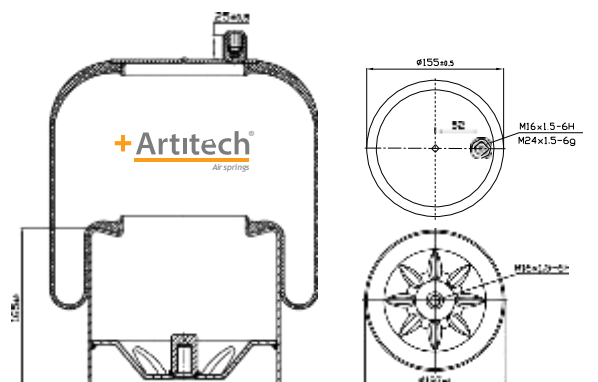
CODE
A4.4390.C01

CROSS REFERENCES

CONTITECH 4390 N P01
DUNLOP D12T10
GOODYEAR 9505
PHOENIX 1KF 21-1

OEM PART NO

MERCEDES A 942 320 0121



Product Explanation | Metal Complete Air Springs

Pallet Quantity : 30

Product Weight : 6,50 Kg.

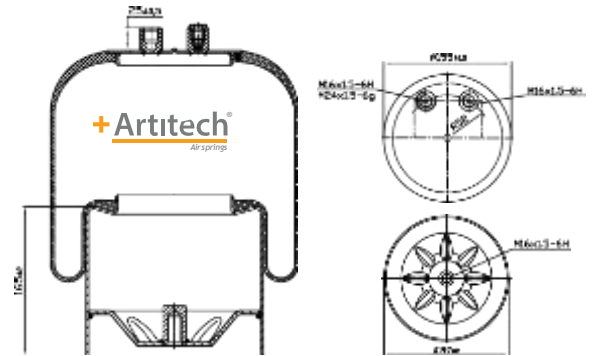
CODE
A4.4390.C02

CROSS REFERENCES

CONTITECH 4390 N P02
DUNLOP D12T11
GOODYEAR 9506
PHOENIX 1KF 21-2

OEM PART NO

MERCEDES A 942 320 0221



Product Explanation | Metal Complete Air Springs

Pallet Quantity : 30

Product Weight :6,50 Kg.

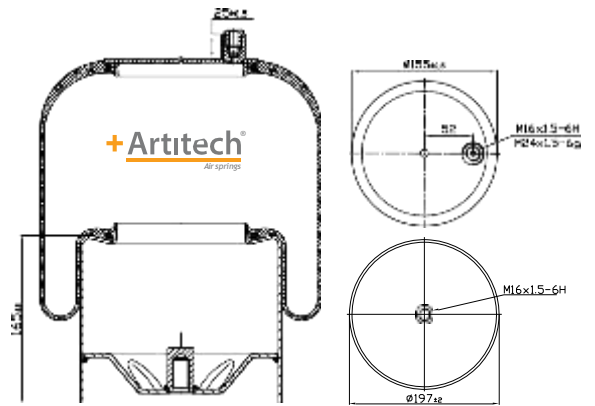
CODE
A4.4390.C21

CROSS REFERENCES

CONTITECH 4390 N P21

OEM PART NO

MERCEDES A 942 320 2821
MERCEDES A 942 320 4921



Product Explanation | Metal Complete Air Springs

Pallet Quantity : 30

Product Weight :6,50 Kg.

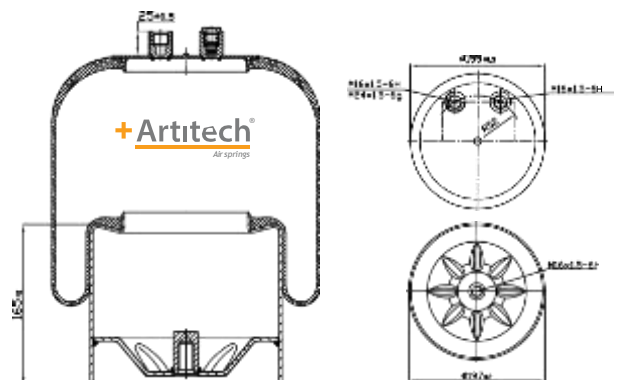
CODE
A4.4390.C22

CROSS REFERENCES

CONTITECH 4390 N P22

OEM PART NO

MERCEDES A 942 320 2921
MERCEDES A 942 320 5021



Product Explanation | Metal Complete Air Springs

Pallet Quantity : 30

Product Weight : 6,60 Kg.

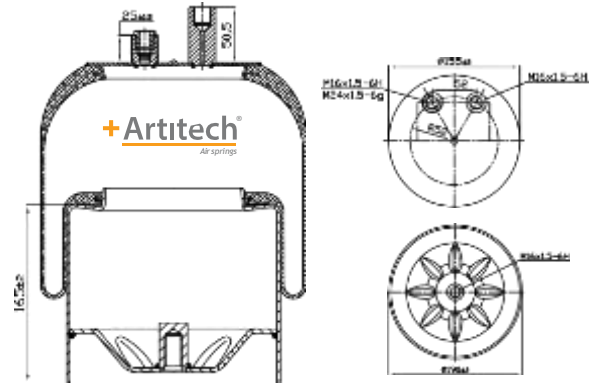
CODE
A4.4390.C23

CROSS REFERENCES

CONTITECH 4390 N P23

OEM PART NO

MERCEDES A 942 320 5221



Product Explanation | Metal Complete Air Springs

Pallet Quantity : 30

Product Weight : 6,60 Kg.

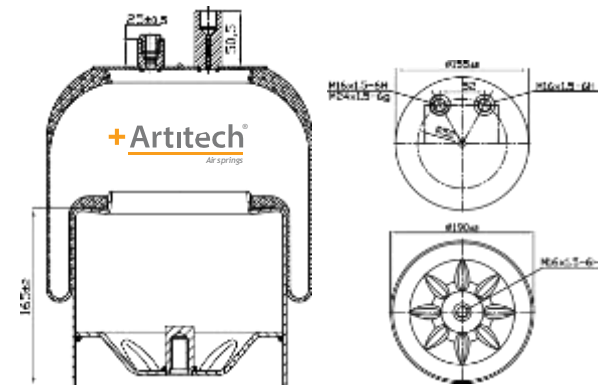
CODE
A4.4390.C25

CROSS REFERENCES

CONTITECH 4390 N P23

OEM PART NO

MERCEDES A 942 320 5221



Product Explanation | Metal Complete Air Springs

Pallet Quantity : 30

Product Weight : 6,50 Kg.

CODE
A4.4410.C

CROSS REFERENCES

OEM PART NO



Product Explanation | Metal Complete Air Springs

Pallet Quantity : 19

Product Weight : 11,50 Kg.

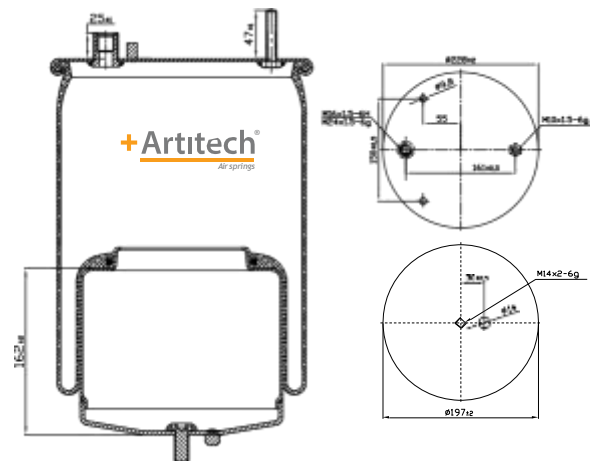
CODE
A4.4560.C02

CROSS REFERENCES

CONTITECH 4560 N P02

OEM PART NO

VOLVO 21224745
VOLVO 22058737



Product Explanation | Metal Complete Air Springs

Pallet Quantity : 39

Product Weight :6,60 Kg.

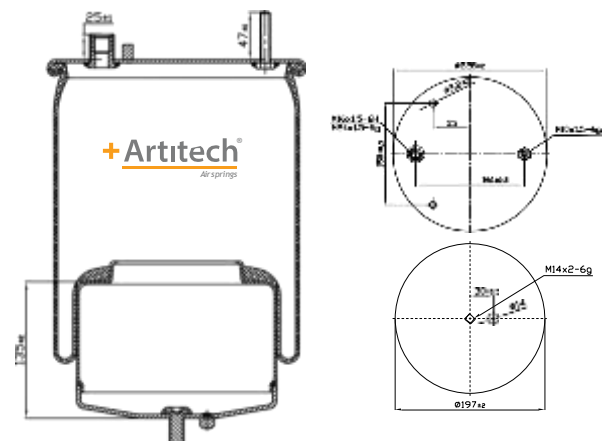
CODE
A4.4561.C02

CROSS REFERENCES

CONTITECH 4561 N P02

OEM PART NO

VOLVO 21 224 746
VOLVO 22 058 738



Product Explanation | Metal Complete Air Springs

Pallet Quantity : 36

Product Weight :6,10 Kg.

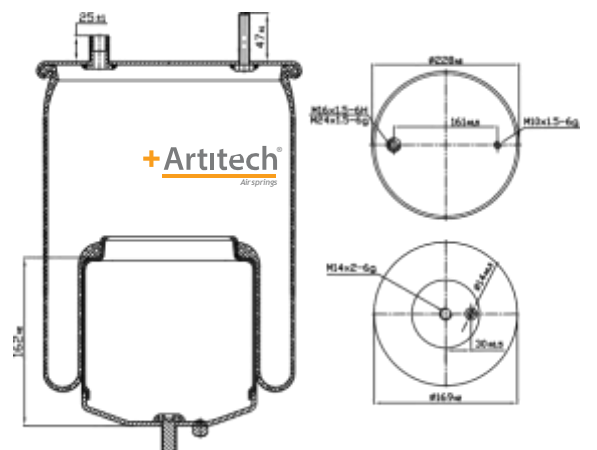
CODE
A4.4570.C01

CROSS REFERENCES

CONTITECH 4570 N P01

OEM PART NO

VOLVO 21 224 749



Product Explanation | Metal Complete Air Springs

Pallet Quantity : 39

Product Weight : 5,75 Kg.

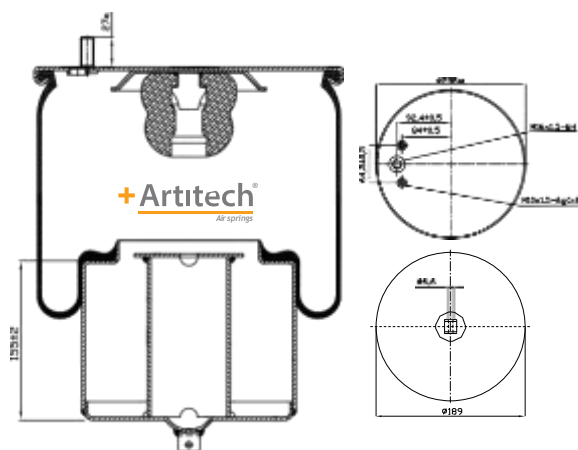
CODE
A4.4713.C50

CROSS REFERENCES

BLACKTECH	RML75824C
CF GOMMA NO.	207775
CF GOMMA REF.	1TS300-28
CONTITECH	4713 N P02
DUNLOP F	D12B24
FIRESTONE NO.	W01-M58-9706
FIRESTONE STYLE	1T17BR8
GART NO.	293.1.460
GART REF.	C293/V
GOODYEAR	1R12-762
GOODYEAR FLEX NO.	566-24-3-513
NEOTEC	ABM 535 30 D 10
PHOENIX	1DF22 C-1
PRIMERIDE	54713 A P02
PRIMERIDE NEW	1R12-762
PRIMERIDE NEW FLEX NO.	566-24-3-513
SPRINGRIDE	1R12-762
SPRINGRIDE FLEX	566-24-3-513
VIBRACOUSTIC	V1DF22 C-1

OEM PART NO

VOLVO	20 554 755
OE NO.	
VOLVO	20 554 755
OE NO.	
VOLVO	1076 594
OE NO.	
VOLVO	1076 594
OE NO.	



Product Explanation | Metal Complete Air Springs

Pallet Quantity : 28

Product Weight : 9,20 Kg.

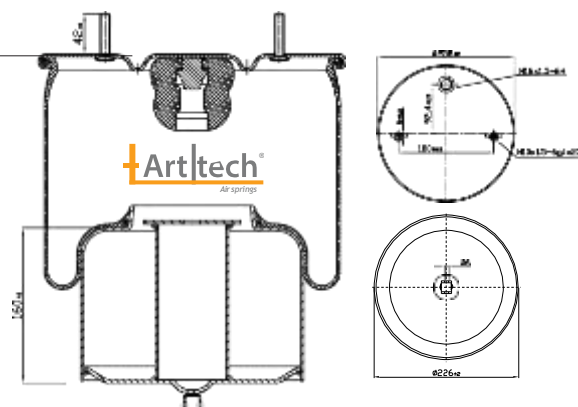
CODE
A4.4718.C01

CROSS REFERENCES

CONTITECH	4718 N P01
FIRESTONE	1T17JBR-9.7
FIRESTONE	W01 M58 8577
GOODYEAR	1R12-821

OEM P R NO

VOLVO	1 075 363
VOLVO	1 629 718
VOLVO	20 452 136
VOLVO	20 554 759



Product Explanation | Metal Complete Air Springs

Pallet Quantity : 28

Product Weight : 9,50Kg.

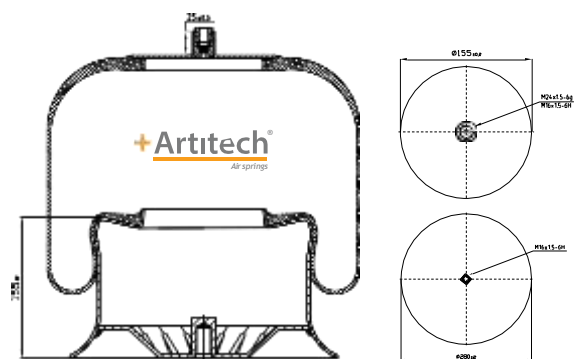
CODE
A4.4757.C01

CROSS REFERENCES

CONTITECH	4757 N P01
FIRESTONE	1R7Z 460305A
FIRESTONE	W01 M58 8521
GOODYEAR	9519

OEM PART NO

MERCEDES	A 942 320 0117
----------	----------------



Product Explanation | Metal Complete Air Springs

Pallet Quantity : 22

Product Weight : 7,70Kg.

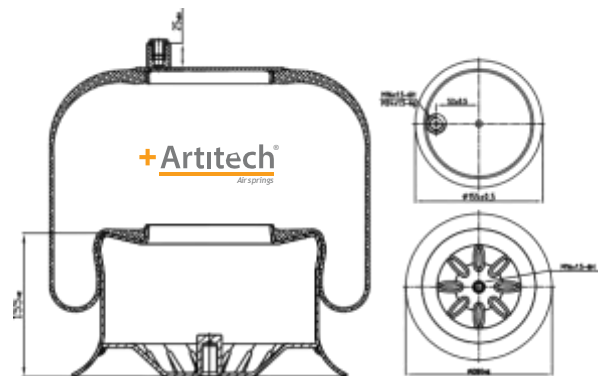
CODE
A4.4757.C09

CROSS REFERENCES

CONTITECH 4757 N P09
 FIRESTONE 1R7Z 460305B
 FIRESTONE W01 M58 8522
 GOODYEAR 9520

OEM PART NO

MERCEDES A 974 320 0417



Product Explanation | Metal Complete Air Springs

Pallet Quantity : 22

Product Weight : 7,50 Kg.

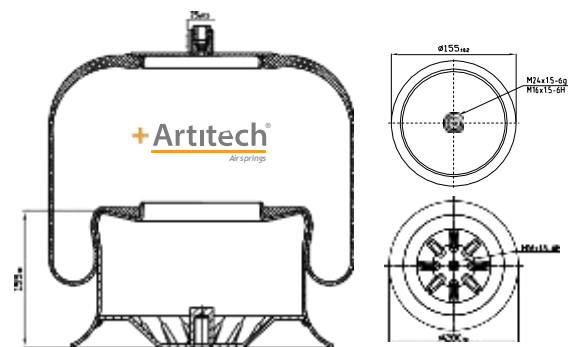
CODE
A4.4757.C21

CROSS REFERENCES

CONTITECH 4757 N P21

OEM PART NO

MERCEDES A 942 320 4321



Product Explanation | Metal Complete Air Springs

Pallet Quantity : 22

Product Weight : 9 Kg.

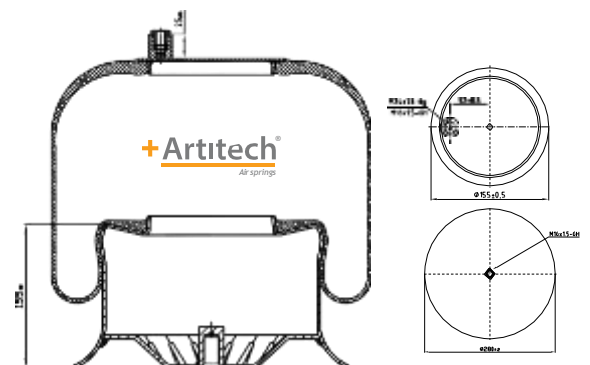
CODE
A4.4757.C29

CROSS REFERENCES

CONTITECH 4757 N P29

OEM PART NO

MERCEDES A 942 320 3221



Product Explanation | Metal Complete Air Springs

Pallet Quantity : 22

Product Weight : 9 Kg.

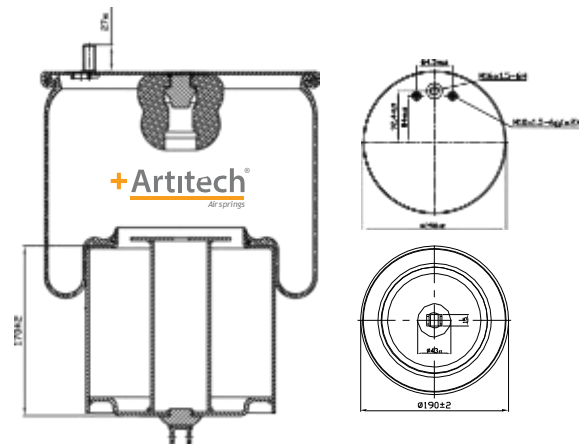
CODE
A4.4770.C

CROSS REFERENCES

CONTITECH 54770 M

OEM PART NO

VOLVO 20 554 770
VOLVO 3 173 271



Product Explanation | Metal Complete Air Springs

Pallet Quantity : 28

Product Weight :8,60Kg.

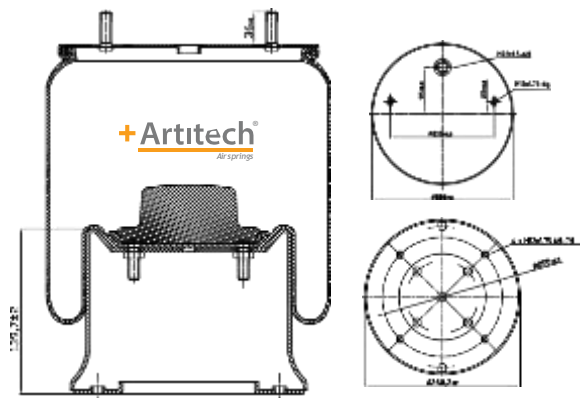
CODE
A4.4810.C05

CROSS REFERENCES

CF GOMMA 1T19 E-1 205456
CONTITECH 4810 N P05
DUNLOP D13B25
FIRESTONE 1T19L-7
FIRESTONE W01 M58 6338
GOODYEAR 1R14-730
PHOENIX 1D 28 A-10
TAURUS KR 621-18

OEM PART NO

SAF HOLLAND 3 229 0027 00
SAF HOLLAND 3 229 2127 00
SAF HOLLAND 3 229 2227 00



Product Explanation | Metal Complete Air Springs

Pallet Quantity : 22

Product Weight :12 Kg.

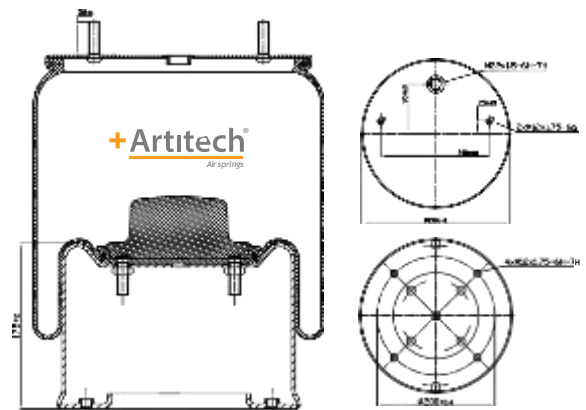
CODE
A4.4810.C06

CROSS REFERENCES

CONTITECH 4810 N P06
FIRESTONE 1T19LB-8
FIRESTONE W01 M58 6216
PHOENIX 1 D 28 E-1

OEM PART NO

SAF HOLLAND 2922 V / 250
SAF HOLLAND 3.229.0036.00



Product Explanation | Metal Complete Air Springs

Pallet Quantity : 22

Product Weight : 12 Kg.

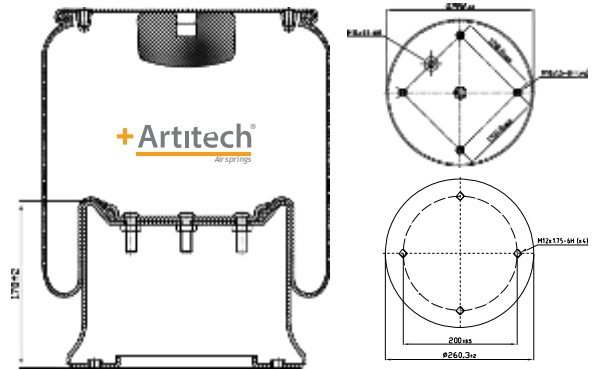
CODE
A4.4813.C07

CROSS REFERENCES

CONTITECH	4813 N P07
DUNLOP	D13B10
DUNLOP	D13B22
FIRESTONE	1T19L-11
FIRESTONE	W01 M58 7358
GOODYEAR	1R14-727
PHOENIX	1D 28 B-9

OEM PART NO

SCANIA	1107674
SCANIA	1314906
SCANIA	1865755
SCANIA	255293
SCANIA	255295
SCANIA	298568
SCANIA	325748



Product Explanation | Metal Complete Air Springs

Pallet Quantity : 24

Product Weight : 11,50 Kg.

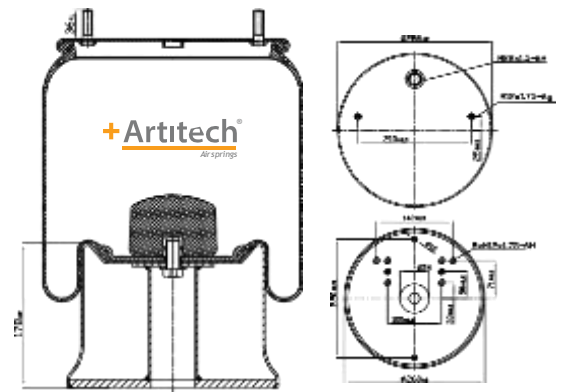
CODE
A4.4823.C

CROSS REFERENCES

FIRESTONE	1T19L-11
FIRESTONE	W01 M58 6223
GOODYEAR	1R14-823
PHOENIX	1DK 28 F-3
VIBRACOUSTIC	V1DK28 F-3

OEM PART NO

DISCOSMERCEDES	A9463281501
SCHMITZ	S015323
WEBER	US04030P



Product Explanation | Metal Complete Air Springs

Pallet Quantity : 22

Product Weight : 14 Kg.

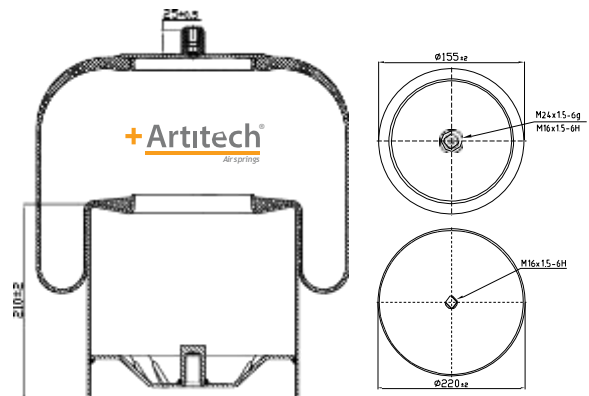
CODE
A4.4838.C01

CROSS REFERENCES

CONTITECH	4838 N P01
FIRESTONE	1R7Z 595330A
FIRESTONE	W01 M58 8512

OEM PART NO

MERCEDES	A 946 320 0421
----------	----------------



Product Explanation | Metal Complete Air Springs

Pallet Quantity : 22

Product Weight : 8,20 Kg.

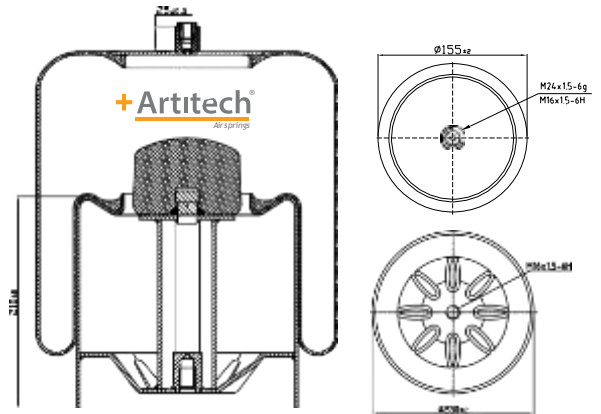
CODE
A4.4838.C23

CROSS REFERENCES

CONTITECH 4838 N P23

OEM PART NO

MERCEDES A 942 320 3521



Product Explanation | Metal Complete Air Springs

Pallet Quantity : 22

Product Weight : 11 Kg.

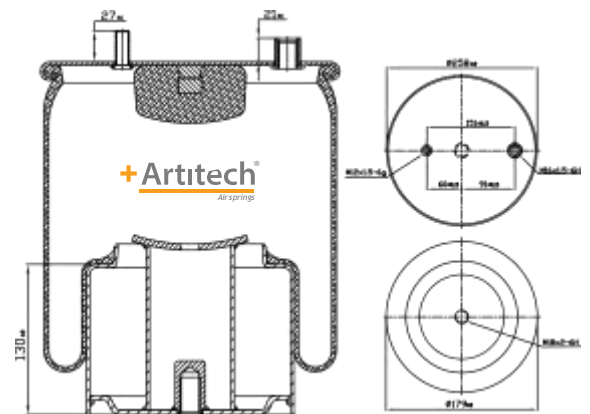
CODE
A4.4862.C02

CROSS REFERENCES

CONTITECH 4862 N1 P02
VIBRACOUSTIC V1 DF 16 B-1

OEM PART NO

MAN 81 43600 6049



Product Explanation | Metal Complete Air Springs

Pallet Quantity : 28

Product Weight : 8 Kg.

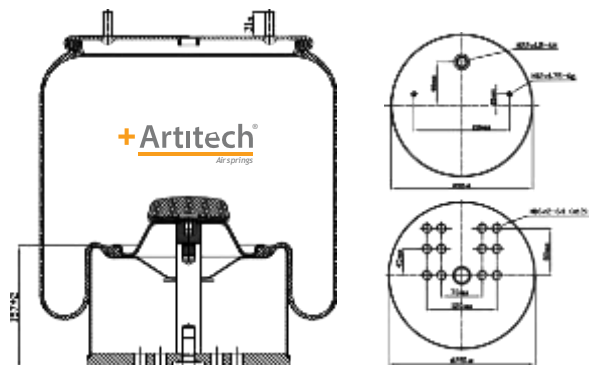
CODE
A4.4881.C

CROSS REFERENCES

CONTITECH 4881 MB
DUNLOP D14B37
FIRESTONE 1T66F-7.0
FIRESTONE W01 M58 8602
GOODYEAR 1R14-724
PHOENIX 1DK 32 K-1

OEM PART NO

BPW 05 429 41 31 1
BPW 05 429 41 22 1
BPW TYPE 36 K



Product Explanation | Metal Complete Air Springs

Pallet Quantity : 18

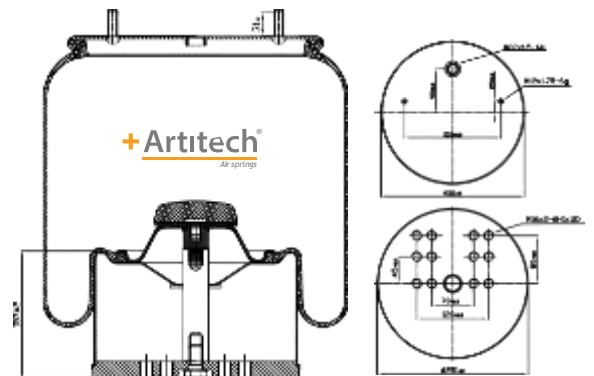
Product Weight : 16 Kg.

CODE
A4.4881.C01

CROSS REFERENCES

OEM PART NO

Product Explanation | Metal Complete Air Springs



Pallet Quantity : 18

Product Weight : XX Kg.

CODE
A4.4882.C05

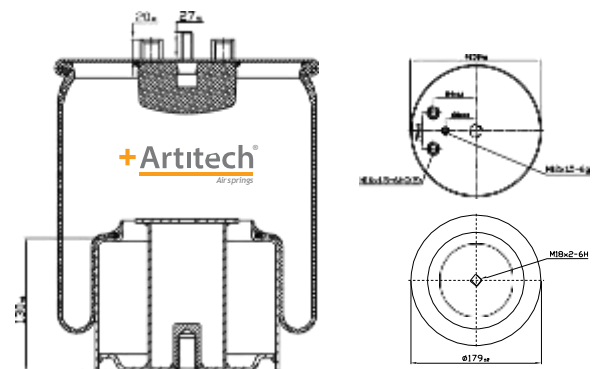
CROSS REFERENCES

CONTITECH 4882 N1 P05
FIRESTONE 1T17JR7.2
FIRESTONE W01 M58 9879
GOODYEAR 1R10-709

OEM PART NO

MAN 81 43600 6036
MAN 81.436.006.056

Product Explanation | Metal Complete Air Springs



Pallet Quantity : 28

Product Weight :8 Kg.

CODE
A4.4884.C06

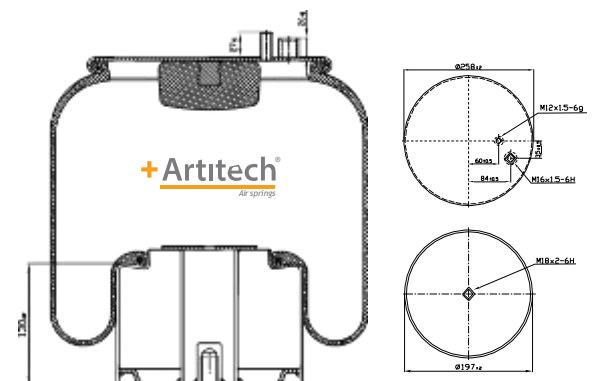
CROSS REFERENCES

CONTITECH 4884 N1 P06
FIRESTONE 1T17WR 8.0
FIRESTONE W01 M58 9880
GOODYEAR 1R11-861
VIBRACOUSTIC V1DF19B-1

OEM PART NO

MAN 81 43600 6035
MAN 81.436.006.055

Product Explanation | Metal Complete Air Springs



Pallet Quantity : 28

Product Weight :10 Kg.

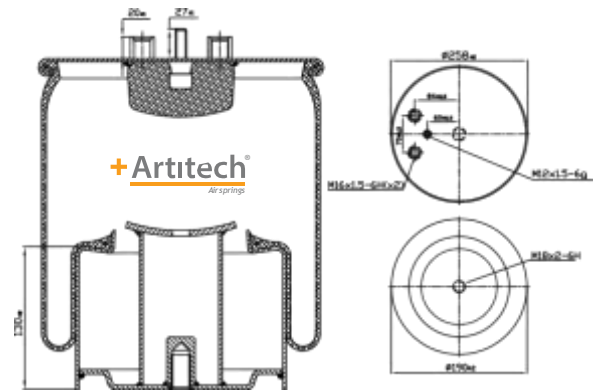
CODE
A4.4884.C07

CROSS REFERENCES

CONTITECH 4884 N1 P07

OEM PART NO

MAN 81 43600 6041



Product Explanation | Metal Complete Air Springs

Pallet Quantity : 28

Product Weight : 9 Kg.

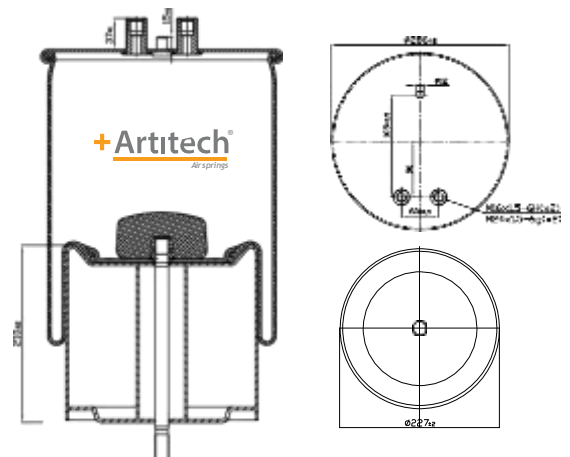
CODE
A4.4912.C07

CROSS REFERENCES

CONTITECH 4912 N P07
DUNLOP D13B45
FIRESTONE 1T19L-14
FIRESTONE W01 M58 8786
GOODYEAR 1R13-738
PHOENIX 1 DK 28 F-4
VIBRACOUSTIC V1DK28F-4

OEM PART NO

RENAULT RVI 5010 294 307 C



Product Explanation | Metal Complete Air Springs

Pallet Quantity : 18

Product Weight :13 Kg.

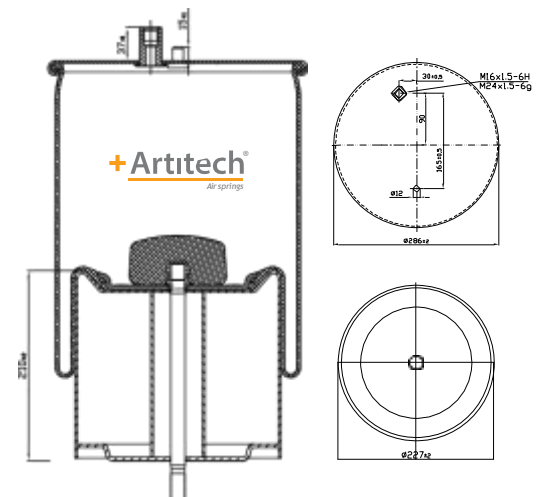
CODE
A4.4912.C10

CROSS REFERENCES

CONTITECH 4912 N P10

OEM PART NO

RENAULT RVI 5010 557 355
5010 557 355
VOLVO 20 722 412



Product Explanation | Metal Complete Air Springs

Pallet Quantity : 18

Product Weight :13,50 Kg.

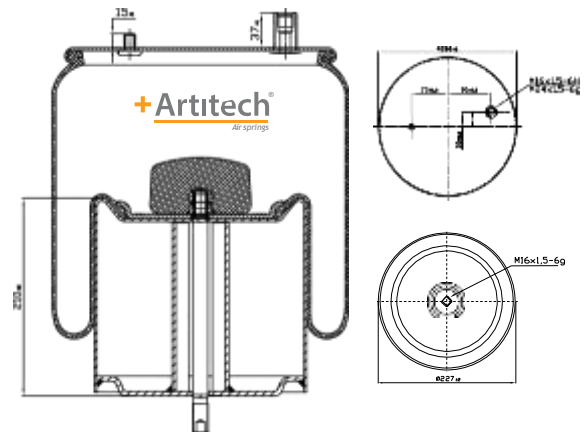
CODE
A4.4912.C13

CROSS REFERENCES

CONTITECH	4912 N P13
FIRESTONE	1T19LL-14
FIRESTONE	W01 M58 5520
PHOENIX	1 DK 28 F-6

OEM PART NO

RENAULT RVI	5010 600 328
RENAULT RVI	7 421 978 494
VOLVO	20 726 768
VOLVO	21 978 504



Product Explanation | Metal Complete Air Springs

Pallet Quantity : 18

Product Weight : 13,50 Kg.

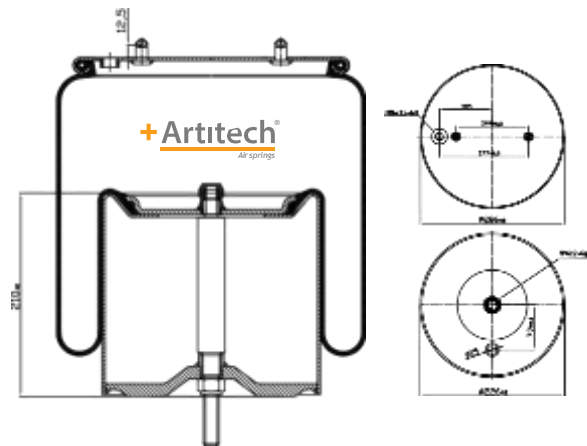
CODE
A4.4913.C02

CROSS REFERENCES

CONTITECH	4913 N P02
DUNLOP	D14B42
FIRESTONE	1T19L-14
FIRESTONE	1T19LAJ-14
FIRESTONE	W01 095 0500
FIRESTONE	W01-M58-9881
GOODYEAR	1R14-753
PHOENIX	1 D 28 H-16
TAURUS	KR 625-16

OEM PART NO

SCANIA	1379392
SCANIA	1440294



Product Explanation | Metal Complete Air Springs

Pallet Quantity : 18

Product Weight : 12 Kg.

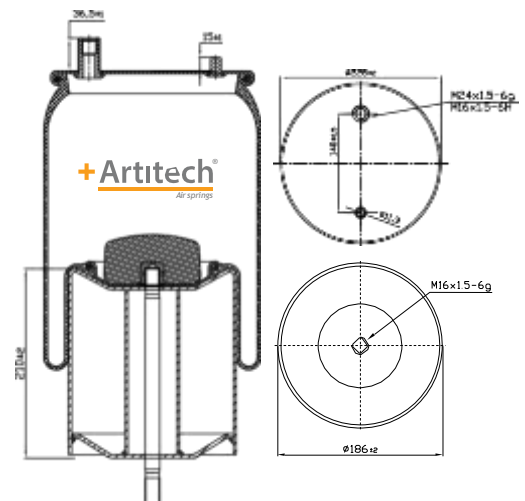
CODE
A4.4915.C06

CROSS REFERENCES

CONTITECH	4915 N P06
GART	C294/C, 294.1.530
PHOENIX	1DK 19-1
VIBRACOUSTIC	VIDK19-1

OEM PART NO

RENAULT RVI	21 978 500
RENAULT RVI	22 190 563
RENAULT RVI	5.010.557.991
RENAULT RVI	5.010.600.578
RENAULT RVI	5010 294 309
SAMRO	H 2501122
VOLVO	20 757 541
VOLVO	22 025 613



Product Explanation | Metal Complete Air Springs

Pallet Quantity : 22

Product Weight : 11 Kg.

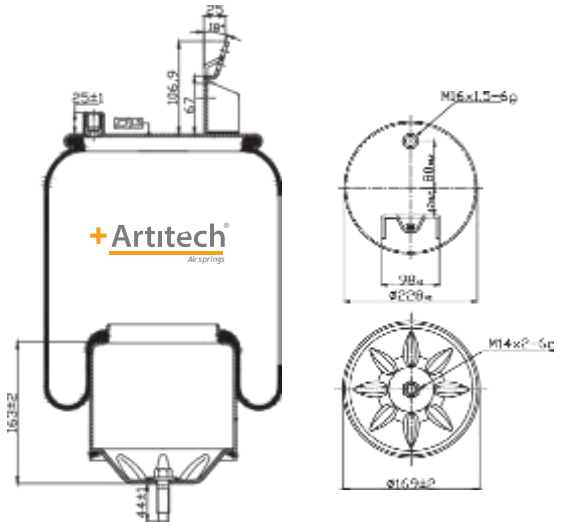
CODE
A4.6416.C

CROSS REFERENCES

CONTITECH	6608 N P01
DUNLOP	D10B01
FIRESTONE	1T15UR-9
FIRESTONE	W01 M58 8474
GOODYEAR	1R10-704

OEM PART NO

RENAULT RVI	7.422.071.639
VOLVO	1 075 891
VOLVO	1 076 416
VOLVO	20 374 510
VOLVO	20 456 152
VOLVO	20 531 985
VOLVO	20 582 215
VOLVO	21 961 456
VOLVO	3 171 693
VOLVO	70 321 693



Product Explanation | Metal Complete Air Springs

Pallet Quantity : 6,2

Product Weight : 28 Kg.

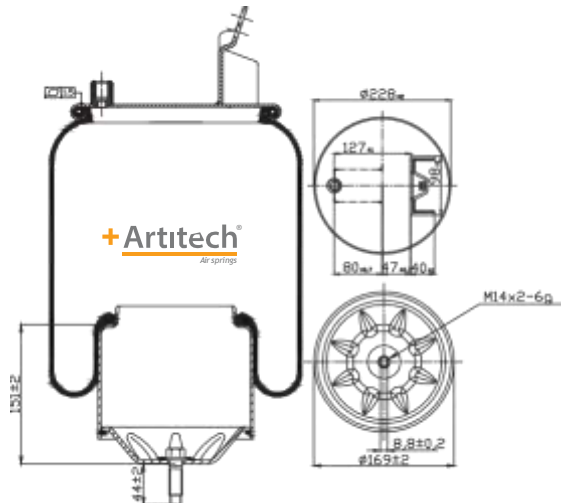
CODE
A4.6418.C

CROSS REFERENCES

CONTITECH	6607 N P01
FIRESTONE	1T15UR-6
FIRESTONE	W01 M58 8473
VIBRACOUSTIC	V1DF16 C-1

OEM PART NO

VOLVO	1 076 418
VOLVO	20 374 511
VOLVO	20 456 156
VOLVO	20 531 987
VOLVO	20 582 214
VOLVO	3 171 695



Product Explanation | Metal Complete Air Springs

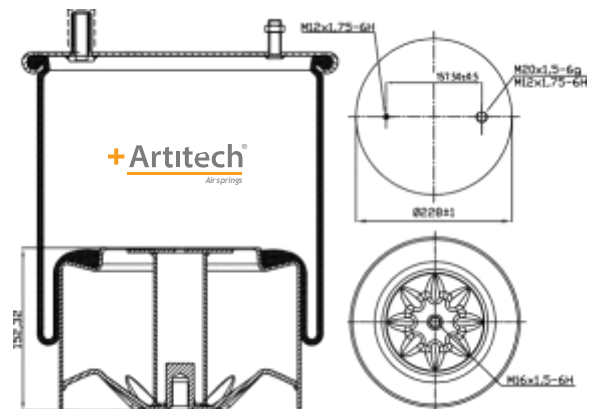
Pallet Quantity : 39

Product Weight : 6 Kg.

CODE
A4.6418.C10

CROSS REFERENCES

OEM PART NO



Product Explanation | Metal Complete Air Springs

Pallet Quantity : 39

Product Weight : 6 Kg.

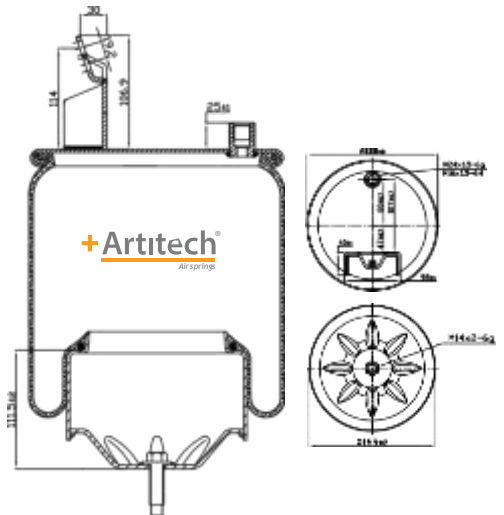
CODE
A4.6420.C

CROSS REFERENCES

CONTITECH 6600 N P02

OEM PART NO

VOLVO 1 076 420
VOLVO 20 374 512
VOLVO 20 456 160
VOLVO 20 531 989
VOLVO 20 582 213
VOLVO 21 961 448



Product Explanation | Metal Complete Air Springs

Pallet Quantity : 39

Product Weight : 5 Kg.

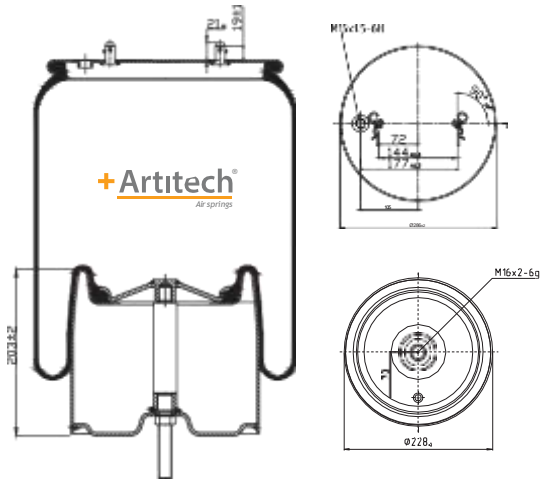
CODE
A4.6700.C

CROSS REFERENCES

CONTITECH 6700 N P01

OEM PART NO

SCANIA 1510195
SCANIA 154 3691
SCANIA 1731113



Product Explanation | Metal Complete Air Springs

Pallet Quantity : 18

Product Weight : 12,5 Kg.

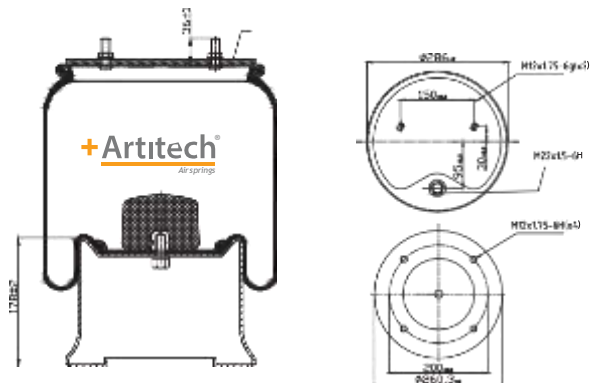
CODE
A4.1285.C02

CROSS REFERENCES

PRIMERIDE NEW 1R14784
PRIMERIDE NEW 1R14812
PRIMERIDE NEW FLEX NO. 566-283-529
PRIMERIDE NEW FLEX NO. 566-283-540
BLACKTECH RML74031C
BLACKTECH RML7688C
DUNLOP D14B49
FIRESTONE NO. VOL1M58-8107
FIRESTONE STYLE IT19-11
GOODYEAR 1R14784
GOODYEAR 1R14812
GOODYEAR FLEX NO. 566-283-529
GOODYEAR FLEX NO. 566-283-540
NEOTEC ABM744 35K45
SPRINGRIDE 1R14784
SPRINGRIDE 1R14812
SPRINGRIDE FLEX 566-283-529
SPRINGRIDE FLEX 566-283-540
VIBRACOUSTIC V1D28F5

OEM PART NO

SCHMITZ 017 089
SCHMITZ 017 685
WEWELER US 04029P
WEWELER US 04031P
WEWELER YP4031N-F



Product Explanation | Metal Complete Air Springs

Pallet Quantity : 22

Product Weight : 15 Kg.

CODE
A4.6700.C02

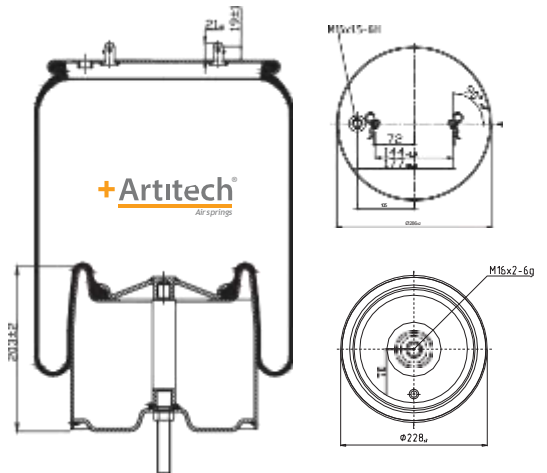
CROSS REFERENCES

CONTITECH	6700 N P02
FIRESTONE	W01-M58-8535
FIRESTONE	W01-S05-9881
GOODYEAR	1R14-869

OEM PART NO

SCANIA	1903608
SCANIA	1944314

Product Explanation | Metal Complete Air Springs



Pallet Quantity : 18

Product Weight : 12,50 Kg.

CODE
A4.7329.C

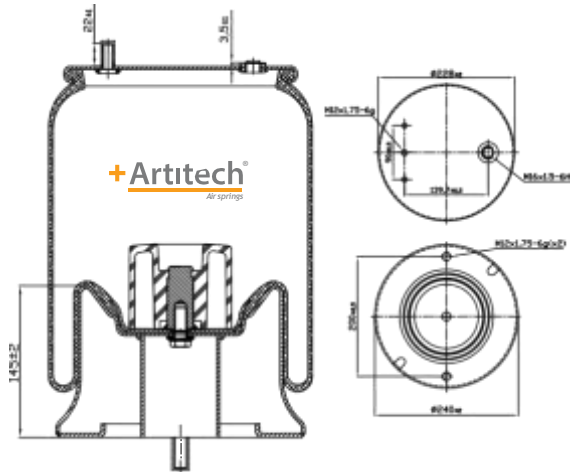
CROSS REFERENCES

PHOENIX	1D 23G-1
VIBRACOUSTIC	V1D23G-1

OEM PART NO

DAF	140 1395-A
DAF	1407329
HENDRICKSON	H 505431
HENDRICKSON	HS505431-03

Product Explanation | Metal Complete Air Springs



Pallet Quantity : 28

Product Weight : 8,30 Kg.

CODE
A4.6755.C01

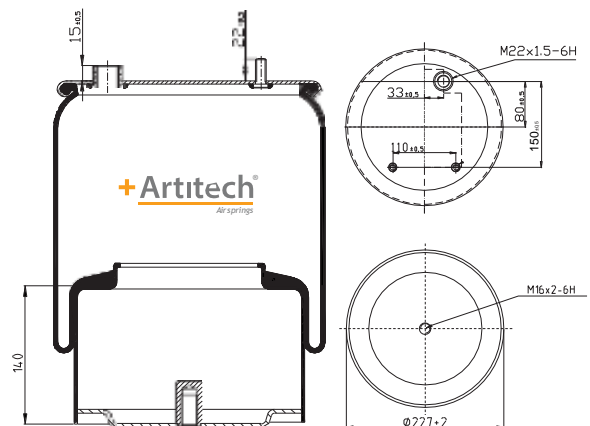
CROSS REFERENCES

CONTITECH	6755 N P01
-----------	------------

OEM PART NO

DAF	1901305
-----	---------

Product Explanation | Metal Complete Air Springs



Pallet Quantity : 36

Product Weight : 8,10 Kg.

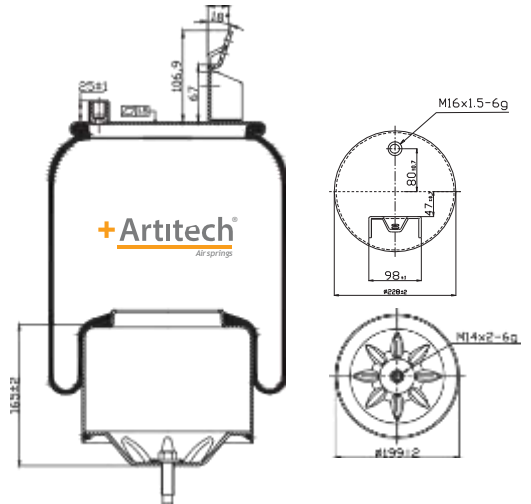
CODE
A4.7803.C

CROSS REFERENCES

CONTITECH	6605 N P01
DUNLOP	D11B42
FIRESTONE	1T15LNR6
FIRESTONE	W01 M58 8472
GOODYEAR	1R11-805

OEM PART NO

RENAULT RVI	7.422.071.638
VOLVO	1 075 890
VOLVO	1 076 415
VOLVO	20 375 226
VOLVO	20 427 800
VOLVO	20 427 803
VOLVO	20 456 150
VOLVO	20 531 984
VOLVO	20 582 206
VOLVO	21 961 374



Product Explanation | Metal Complete Air Springs

Pallet Quantity : 30

Product Weight : 7 Kg.

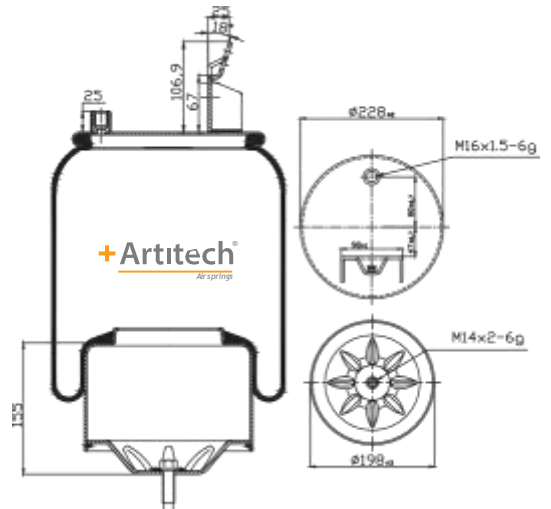
CODE
A4.7804.C

CROSS REFERENCES

CONTITECH	6606 N P01
FIRESTONE	1T15LNR3
FIRESTONE	W01 M58 8477

OEM PA R NO

VOLVO	20 427 801
VOLVO	20 427 804
VOLVO	20 456 154
VOLVO	20 531 986
VOLVO	20 582 209
VOLVO	3 171 694



Product Explanation | Metal Complete Air Springs

Pallet Quantity : 39

Product Weight : 6,8 Kg.

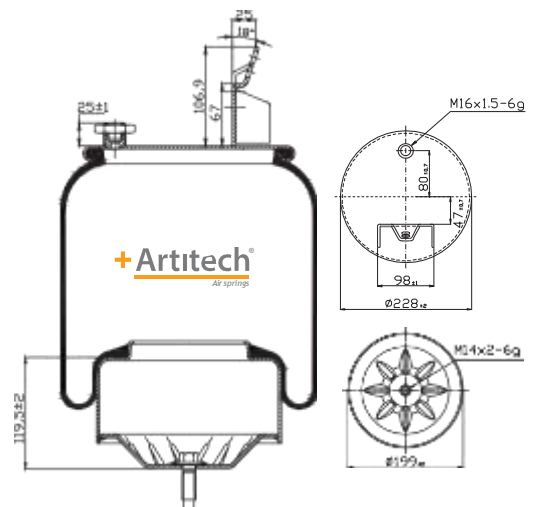
CODE
A4.7805.C

CROSS REFERENCES

CONTITECH	6606 N P02
-----------	------------

OEM PART NO

VOLVO	1 076 417
VOLVO	20 375 228
VOLVO	20 427 802
VOLVO	20 427 804
VOLVO	20 427 805
VOLVO	20 456 158
VOLVO	20 531 988
VOLVO	20 582 212
VOLVO	21 961 447



Product Explanation | Metal Complete Air Springs

Pallet Quantity : 39

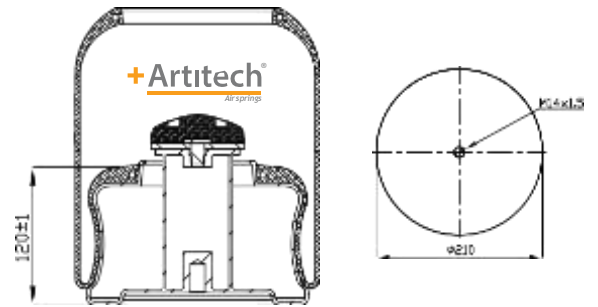
Product Weight : 6,50 Kg.

CODE
A4.8250.C

CROSS REFERENCES

OEM PART NO

Product Explanation | Metal Complete Air Springs



Pallet Quantity : 45

Product Weight : XX Kg.

CODE
A4.9780.C

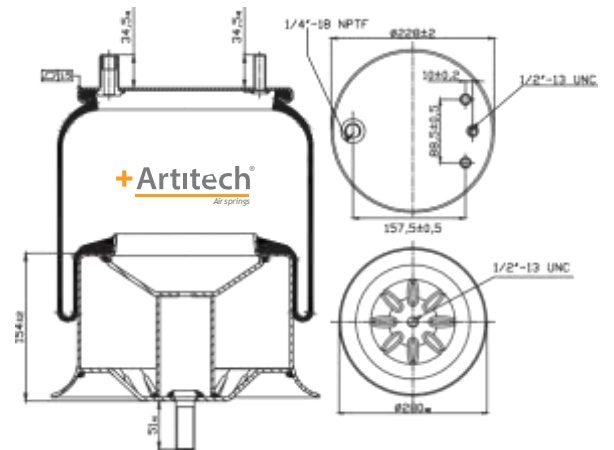
CROSS REFERENCES

FIRESTONE 1T15ZR-6
FIRESTONE W01 358 9782

OEM PART NO

FREIGHTLINER 16-16773-000

Product Explanation | Metal Complete Air Springs



Pallet Quantity : 36

Product Weight : 9 Kg.

CODE
A4.40302.C

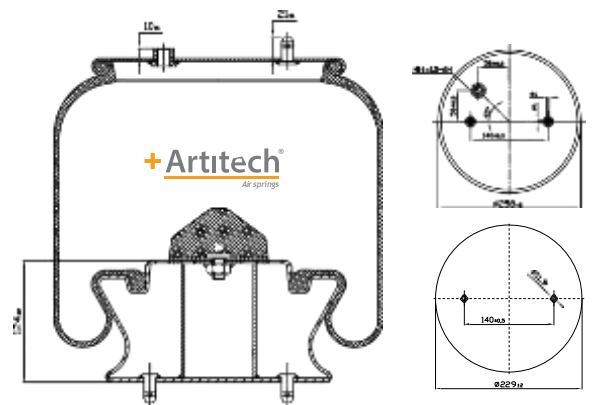
CROSS REFERENCES

FIRESTONE 1T15VPR-3
FIRESTONE W01 M58 8193
GOODYEAR 1R12-809
PHOENIX 1DF23 A-1

OEM PART NO

SCANIA-S.BUSSAR 1440302
SCANIA-S.BUSSAR 470921

Product Explanation | Metal Complete Air Springs



Pallet Quantity : 36

Product Weight : 7,90 Kg.

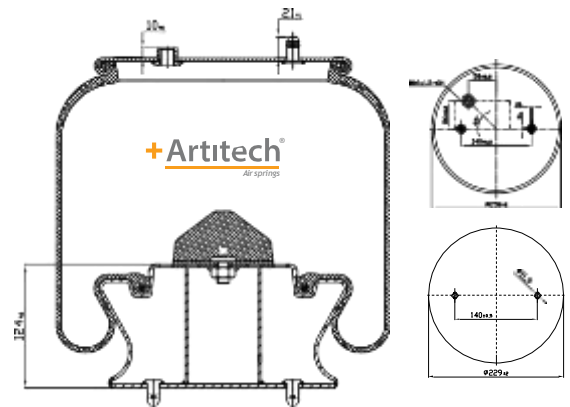
CODE
A4.40302.C01

CROSS REFERENCES

GOODYEAR 1R12-813

OEM PART NO

SCANIA-S.BUSSAR 1726238



Product Explanation | Metal Complete Air Springs

Pallet Quantity : 36

Product Weight : 7,90 Kg.

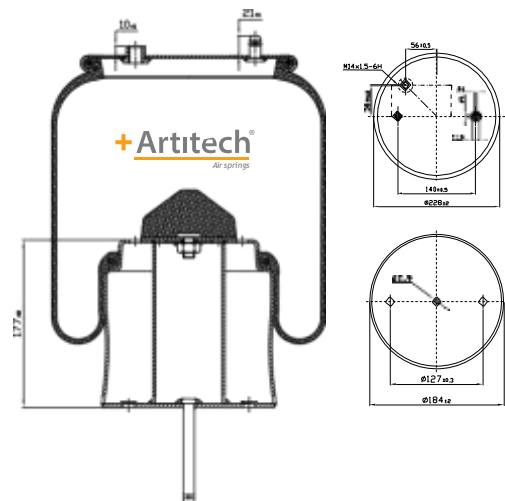
CODE
A4.40304.C

CROSS REFERENCES

GOODYEAR 1R11-829
PHOENIX 1DF20 A-3

OEM PART NO

SCANIA-S.BUSSAR 1440304
SCANIA-S.BUSSAR 470922



Product Explanation | Metal Complete Air Springs

Pallet Quantity : 36

Product Weight : 7,90 Kg.

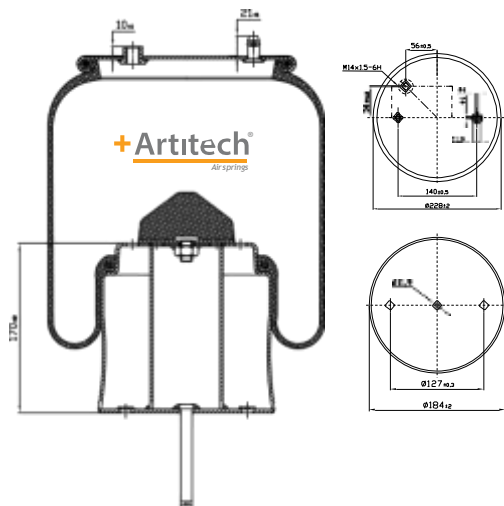
CODE
A4.40304.C01

CROSS REFERENCES

GOODYEAR 1R11-834

OEM PART NO

SCANIA-S.BUSSAR 1726240



Product Explanation | Metal Complete Air Springs

Pallet Quantity : 39

Product Weight : 7,90 Kg.

02

COMPLETE PLASTIC PISTON



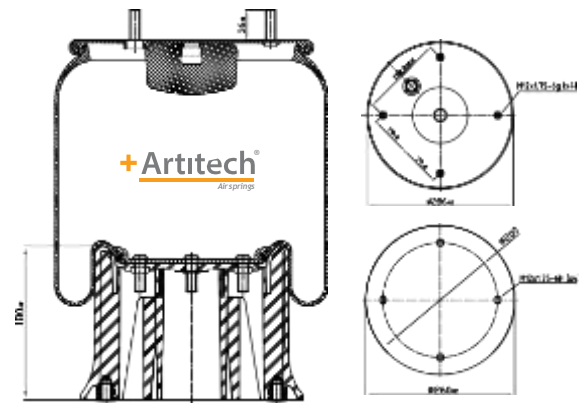
CODE
A4.813.CP

CROSS REFERENCES

FIRESTONE 1T19L-11
FIRESTONE W01 M58 6339

OEM PART NO

Product Explanation | Complete Plastic Piston



Pallet Quantity : 22

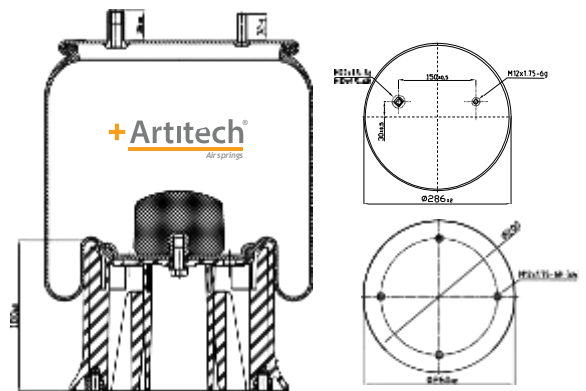
Product Weight : 9 Kg.

CODE
A4.813.CP02

CROSS REFERENCES

OEM PART NO

Product Explanation | Complete Plastic Piston



Pallet Quantity : 22

Product Weight :9,10 Kg.

CODE
A4.881.CP

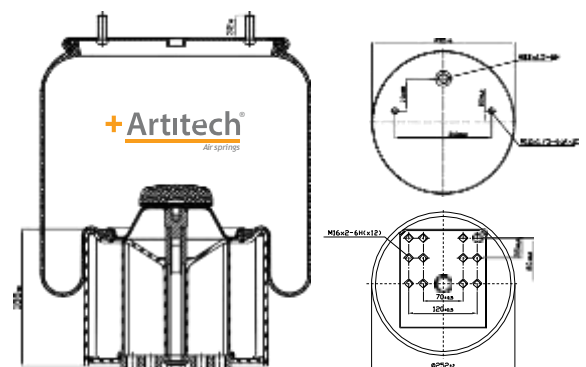
CROSS REFERENCES

DUNLOP D14B41
FIRESTONE 1T66F-10.8
FIRESTONE W01 M58 8667
GOODYEAR 1R14-748
PHOENIX 1DK 32-1

OEM PART NO

BPW 05 429 43 51 0

Product Explanation | Complete Plastic Piston



Pallet Quantity : 18

Product Weight : 13,60 Kg.

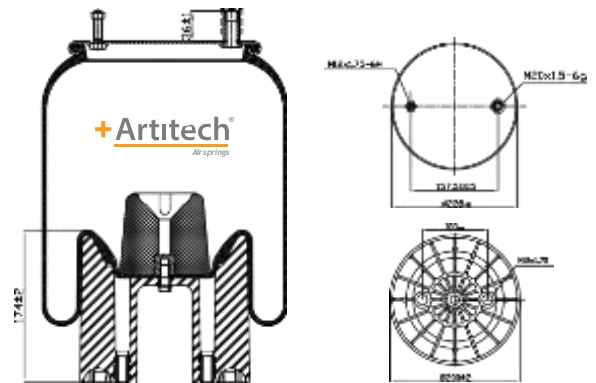
CODE
A4.4159.CP03

CROSS REFERENCES

FIRESTONE	1T15M-9
FIRESTONE	W01-M58-7308
GOODYEAR	1R12-713
AIRTECH	34159-S1 C-ALU

OEM PART NO

SCANIA	255294
SCANIA	1314905



Product Explanation | Complete Plastic Piston

Pallet Quantity : 28

Product Weight : 7,68 Kg.

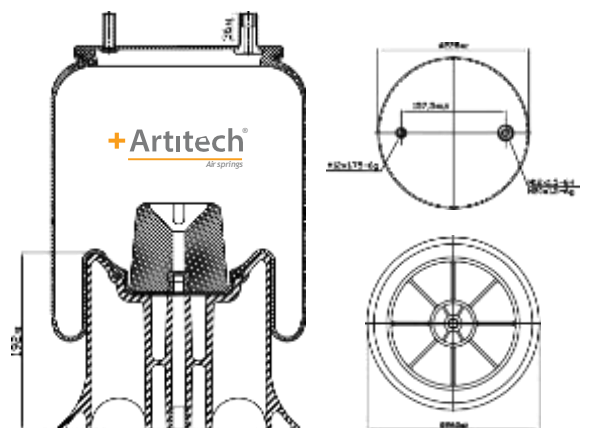
CODE
A4.4159.CP09

CROSS REFERENCES

CF GOMMA	1T 323-40 200751
CONTITECH	4159 N P09
FIRESTONE	1T15M-9
FIRESTONE	W01 M58 9131
GOODYEAR	1R12-721
PHOENIX	1DK 21 B-8

OEM PART NO

CARDI	580 51210
FRUEHAUF	UJB 0358-001
SAMRO	H 2500324
SMB	152 5199
SMB	M 001774



Product Explanation | Complete Plastic Piston

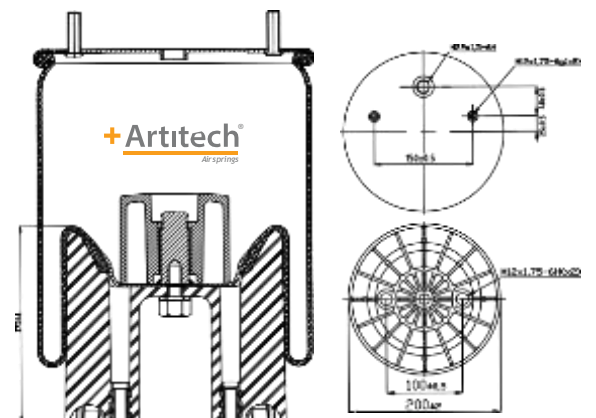
Pallet Quantity : 28

Product Weight : 7,20 Kg.

CODE
A4.4158.CP10

CROSS REFERENCES

OEM PART NO



Product Explanation | Complete Plastic Piston

Pallet Quantity : 28

Product Weight : 9 Kg.

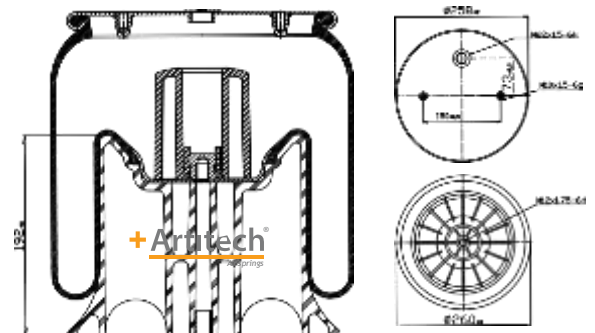
CODE
A4.4158.CP03

CROSS REFERENCES

CONTITECH	4158 N P03
DUNLOP	D12B22
FIRESTONE	1T15MPW-9
FIRESTONE	W01 M58 8185
GOODYEAR	1R12-749
PHOENIX	1DK 20 B-1

OEM PART NO

SCHMITZ	14892
SCHMITZ	750 999
WEWELER	US 0628



Product Explanation | Complete Plastic Piston

Pallet Quantity : 28

Product Weight : 6,70 Kg.

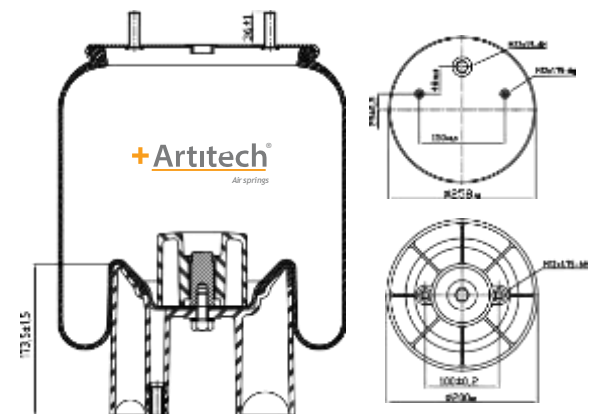
CODE
A4.4157.CP04

CROSS REFERENCES

CONTITECH	4157 N P04
DUNLOP	D12B18
FIRESTONE	1T15MPW-7
FIRESTONE	W01 M58 6297
GOODYEAR	1R11-111
PHOENIX	1DK 21 A-4
PHOENIX	1DK 21 A-8
TAURUS	KR 915-54

O E P R N O
M A T

DAIMLER TAS	A 946 328 1401
ROR	2122 1307
WEWELER	US06287
WEWELER	US07364



Product Explanation | Complete Plastic Piston

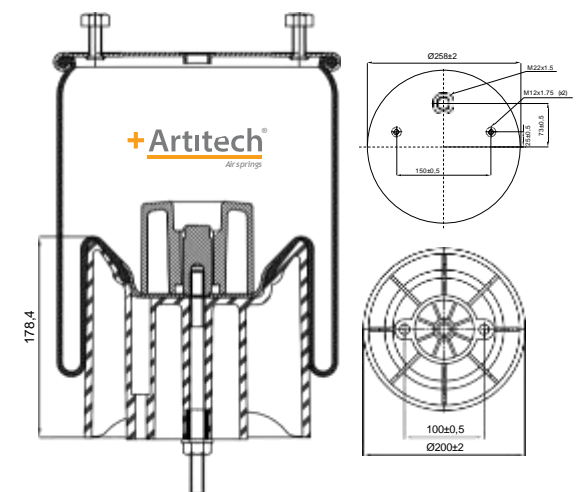
Pallet Quantity : 28

Product Weight :6,60 Kg.

CODE
A4.4157.CP50

CROSS REFERENCES

OEM PART NO



Product Explanation | Complete Plastic Piston

Pallet Quantity : 28

Product Weight : 7 Kg.

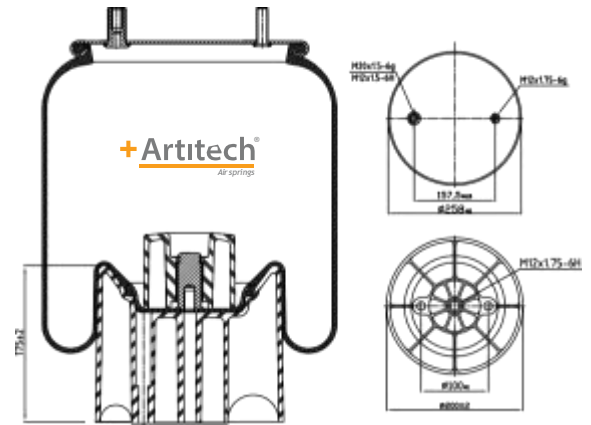
CODE
A4.4157.CP10

CROSS REFERENCES

CONTITECH	4157 N P10
DUNLOP	D12B29
FIRESTONE	1T15MPW-7
FIRESTONE	W01 M58 6315
GOODYEAR	1R11-772
PHOENIX	1DK 20 A-51
TAURUS	KR 915-51

O E M P A R T N O

ACERBI	128140028
ACERBI	800449526
FRUEHAUF	UJB 0975
SMB	M060924



Product Explanation | Complete Plastic Piston

Pallet Quantity : 28

Product Weight : 6,60 Kg.

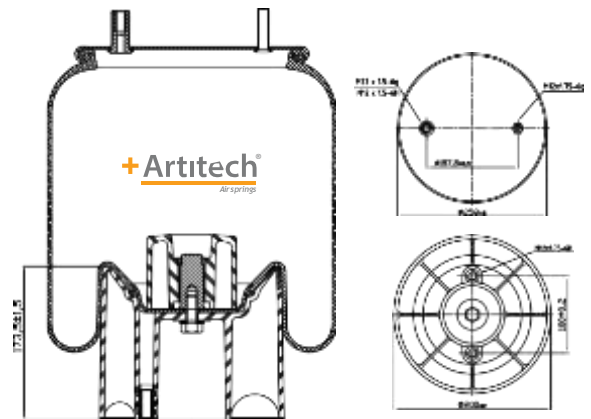
CODE
A4.4157.CP09

CROSS REFERENCES

CF GOMMA	1T300-38 205598
CONTITECH	4157N P09
DUNLOP	D12B17
FIRESTONE	1T15MPW-7
FIRESTONE	W01 M58 7074
GOODYEAR	1R11-106
PHOENIX	1DK 21 A-31
TAURUS	KR913-57

O E M P A R T N O

ROR	21222442
WEWELER	US 07074F



Product Explanation | Complete Plastic Piston

Pallet Quantity : 28

Product Weight :6,60 Kg.

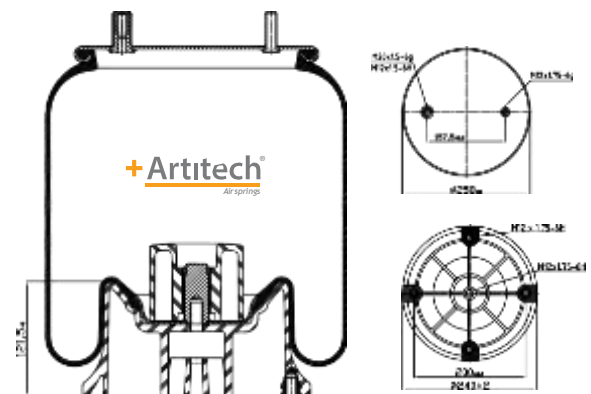
CODE
A4.4157.CP08

CROSS REFERENCES

CONTITECH	4157 N P08
DUNLOP	D12B30
FIRESTONE	1T15MPW-7
FIRESTONE	W01 M58 6317
GOODYEAR	1R11-773
PHOENIX	1DK 20 C-2

O E M P A R T N O

NEWAY	905 57233
SAMRO	H 2501869
SMB	M078 580



Product Explanation | Complete Plastic Piston

Pallet Quantity : 28

Product Weight : 6,60 Kg.

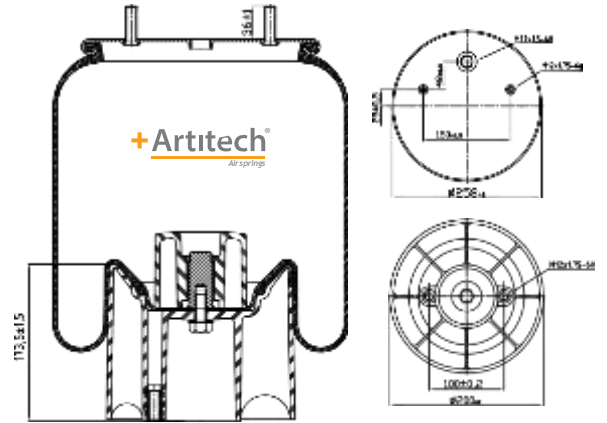
CODE
A4.4157.CP04

CROSS REFERENCES

CONTITECH	4157 N P04
DUNLOP	D12B18
FIRESTONE	1T15MPW-7
FIRESTONE	W01 M58 6297
GOODYEAR	1R11-111
PHOENIX	1DK 21 A-4
PHOENIX	1DK 21 A-8
TAURUS	KR 915-54

OEM PART NO

DAIMLER	A 946 328 1401
ROR	2122 1307
WEWELER	US 06287
WEWELER	US 07364



Product Explanation | Complete Plastic Piston

Pallet Quantity : 28

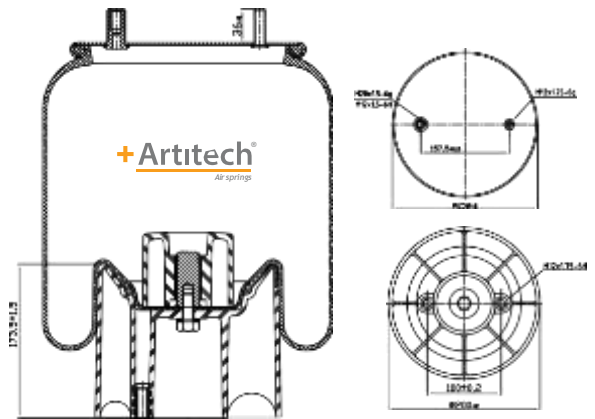
Product Weight : 6,60 Kg.

CODE
A4.4157.CP03

CROSS REFERENCES

CONTITECH	4157 N P03
-----------	------------

OEM PART NO



Product Explanation | Complete Plastic Piston

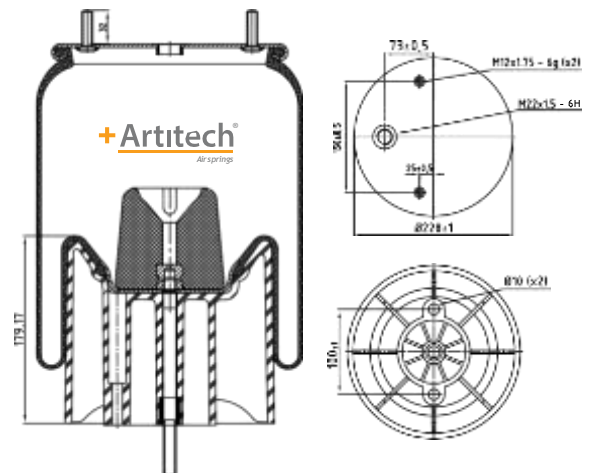
Pallet Quantity : 28

Product Weight : 7 Kg.

CODE
A4.4156.CP50

CROSS REFERENCES

OEM PART NO



Product Explanation | Complete Plastic Piston

Pallet Quantity : 28

Product Weight : 6,80 Kg.

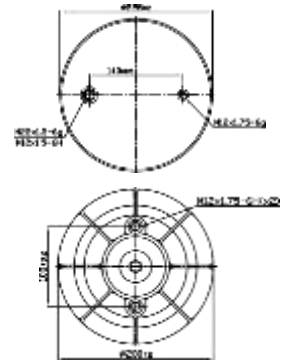
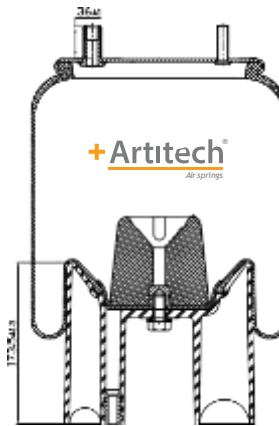
CODE
A4.4156.CP30

CROSS REFERENCES

FIRESTONE W01 M58 6269

OEM PART NO

HENDRICKSON 550 552



Product Explanation | Complete Plastic Piston

Pallet Quantity : 28

Product Weight : 6,40 Kg.

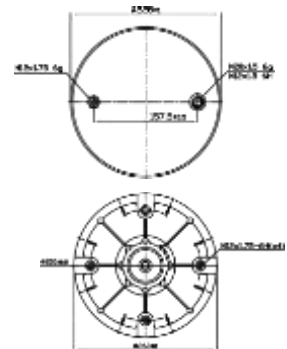
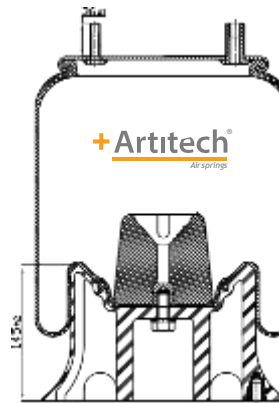
CODE
A4.4156.CP15

CROSS REFERENCES

CONTITECH 4156 N P15
FIRESTONE 1T15M-6
FIRESTONE W01 358 9361
GOODYEAR 1R12-716
PHOENIX 1DK 21 A-2
SPRINGRIDE D12B19
TAURUS KR 506-28

OEM PART NO

FRUEHAUF M00 1472
HENDRICKSON HA100001
MERITOR (ROR) 2121 5761
SMB UJB 0207
WEWELER US 35864



Product Explanation | Complete Plastic Piston

Pallet Quantity : 28

Product Weight :6,60 Kg.

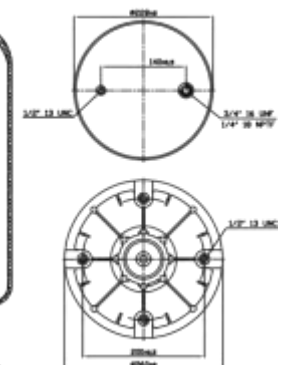
CODE
A4.4156.CP14

CROSS REFERENCES

F GOMMA 1T 323-32
CONTITECH 4156 N P14
DUNLOP D12B33
GOODYEAR 1R12-716
PHOENIX 1 DK 23 K-9082

OEM PART NO

HENDRICKSON B 2066
MERITOR (ROR) 21208939
NEWAY 905 57027
NEWAY 905 57075
WEWELER US 09361F



Product Explanation | Complete Plastic Piston

Pallet Quantity : 28

Product Weight : 6,60 Kg.

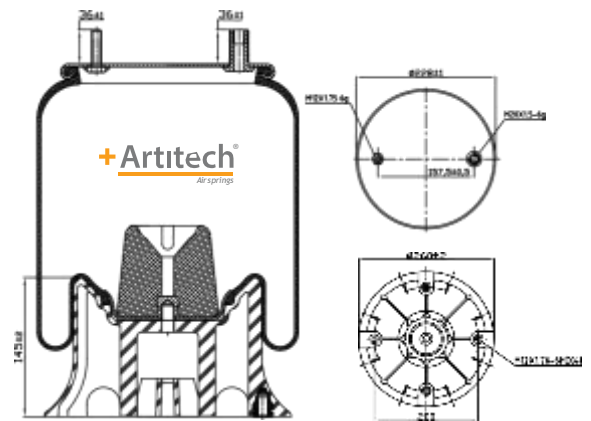
CODE
A4.4156.CP11

CROSS REFERENCES

FIRESTONE 1T15M-6
FIRESTONE W01 M58 9296

OEM PART NO

HENDRICKSON HS 250009



Product Explanation | Complete Plastic Piston

Pallet Quantity : 28

Product Weight : 6,60 Kg.

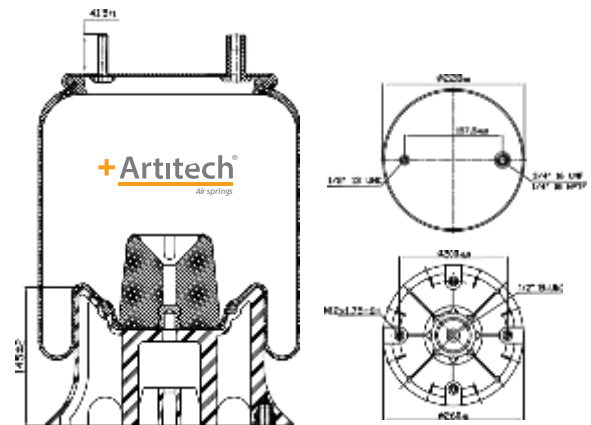
CODE
A4.4156.CP10

CROSS REFERENCES

CONTITECH 4156 N P10
FIRESTONE 1T15M-6
FIRESTONE W01 358 8929
GOODYEAR 1R12-461

OEM PART NO

HENDRICKSON HA 100016



Product Explanation | Complete Plastic Piston

Pallet Quantity : 28

Product Weight :6,60 Kg.

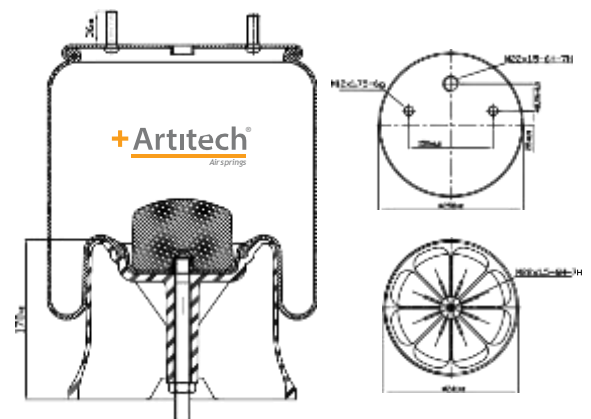
CODE
A4.4022.CP06

CROSS REFERENCES

PHOENIX 1DK22 E-9 2621 V
VIBRACOUSTIC V 1DK22 E-13

OEM PART NO

SAFHOLLAND 3 2290038 00



Product Explanation | Complete Plastic Piston

Pallet Quantity : 28

Product Weight : 7 Kg.

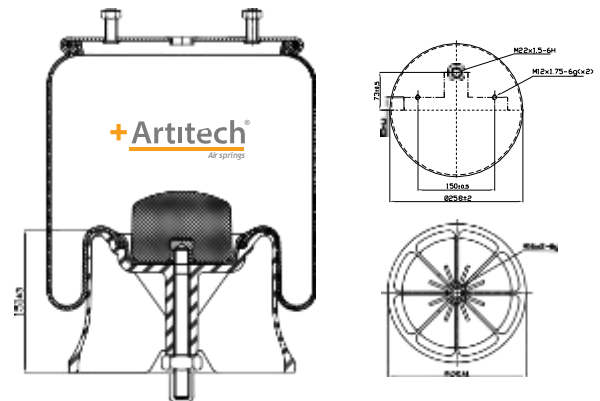
CODE
A4.4022.CP05

CROSS REFERENCES

CF GOMMA	1T 300-37 206585
CONTITECH	4022 N P05
FIRESTONE	1T17BS-6
FIRESTONE	W01 M58 8612
GART	D278S 278.1455
GOODYEAR	1R11-781
PHOENIX	1DK22 E-11
VIBRACOUSTIC	V1DK22 E-10

OEM PART NO

SAF HOLLAND	3 229 0033 00
-------------	---------------



Product Explanation | Complete Plastic Piston

Pallet Quantity : 28

Product Weight : 6,60 Kg.

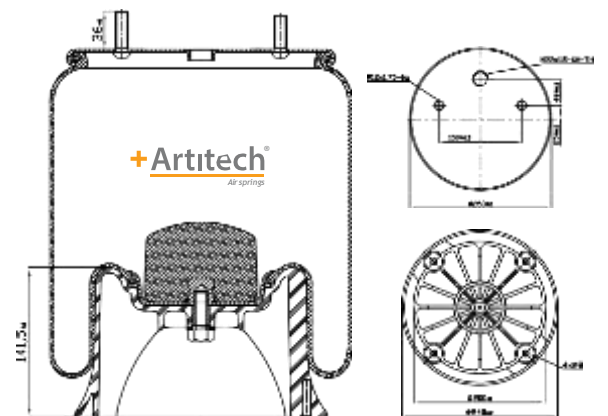
CODE
A4.4022.CP03

CROSS REFERENCES

CF GOMMA	1T 300-37 206340
CONTITECH	4022 N P03
FIRESTONE	1T17BS-6
FIRESTONE	W01 M58 6367
GART	D278S 278.4454
GOODYEAR	1R11-714
PHOENIX	1DK22 E-9
SPRINGRIDE	D12B14
VIBRACOUSTIC	V1DK22 E-9

OEM PART NO

SAF HOLLAND	3.229.0029.00
SAF HOLLAND	3.229.2129.00
SAF HOLLAND	3.229.2229.00
SAF HOLLAND	3.229.2429.00



Product Explanation | Complete Plastic Piston

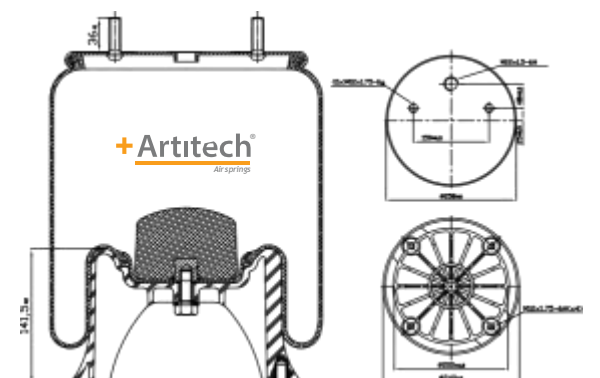
Pallet Quantity : 28

Product Weight : 6,60 Kg.

CODE
A4.4022.CP02

CROSS REFERENCES

OEM PART NO



Product Explanation | Complete Plastic Piston

Pallet Quantity : 28

Product Weight : 6,50 Kg.

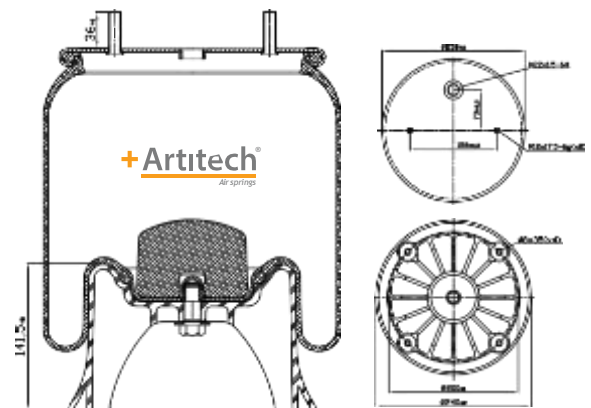
CODE
A4.4004.CP03

CROSS REFERENCES

CONTITECH	4004 N P03
FIRESTONE	1T17BS-6
GART D278S	278.4.452
GOODYEAR	1R11-713
GOODYEAR	1R11-750
PHOENIX	1DK22 E-8
SPRINGRIDE	D12B13
SPRINGRIDE	D12B34
VIBRACOUSTIC	V1DK22 E-8
FIRESTONE	W01 M58 6366

OEM PART NO

SAF HOLLAND	3.229.007.00
-------------	--------------



Product Explanation | Complete Plastic Piston

Pallet Quantity : 28

Product Weight : 8,50 Kg.

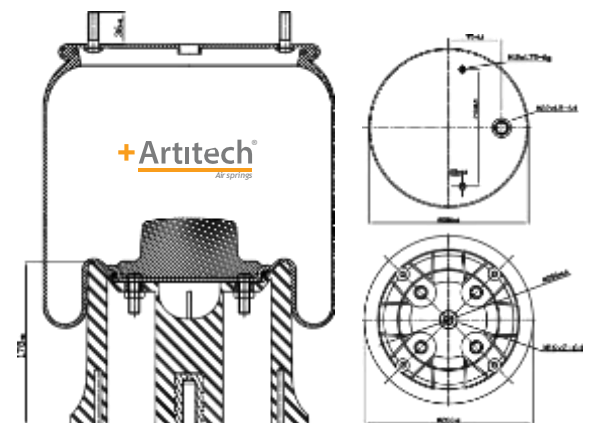
CODE
A4.2924.CP

CROSS REFERENCES

PHOENIX	1 D 28 B-11
---------	-------------

OEM PART NO

SAF HOLLAND	2924 V
SAF HOLLAND	3.229.0041.00



Product Explanation | Complete Plastic Piston

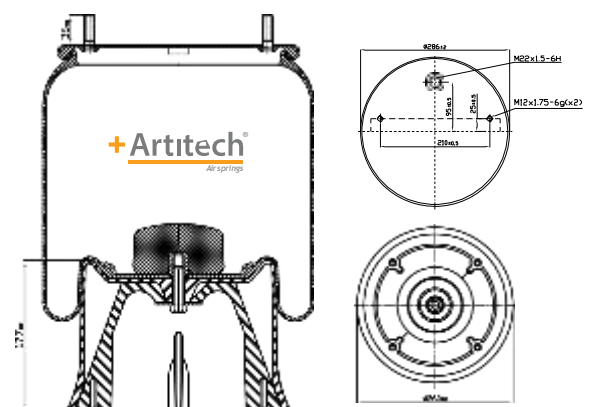
Pallet Quantity : 22

Product Weight : 9,50 Kg.

CODE
A4.2923.CP

CROSS REFERENCES

OEM PART NO



Product Explanation | Complete Plastic Piston

Pallet Quantity : 22

Product Weight : 8,50 Kg.

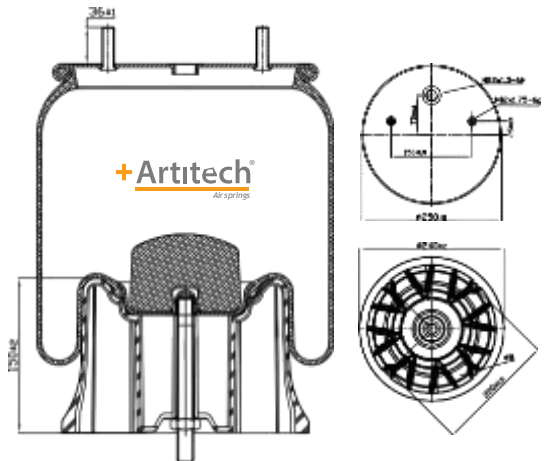
CODE
A4.2919.CP

CROSS REFERENCES

BLACKTECH	RML75921CP
BLACKTECH	RML75921CP1
BLACKTECH	RML75921CP2
CONTITECH	4810 N P13
FIRESTONE NO	W01-M58-5540
FIRESTONE STYLE	1T19FB-8
GART NO.	277.1.421
GART REF.	D277/B
NEOTEC ABM	722.34 C 41
PHOENIX 1	D 28 E-2
PRIME-RIDE NEW	1R14-892
PRIME-RIDE NEW FLEX NO.	566-28-3-562

CEMP RT O
A N

SAF HOLLAND	2919 V
SAF HOLLAND	3 229 0042 00



Product Explanation | Complete Plastic Piston

Pallet Quantity : 22

Product Weight : 6,50 Kg.

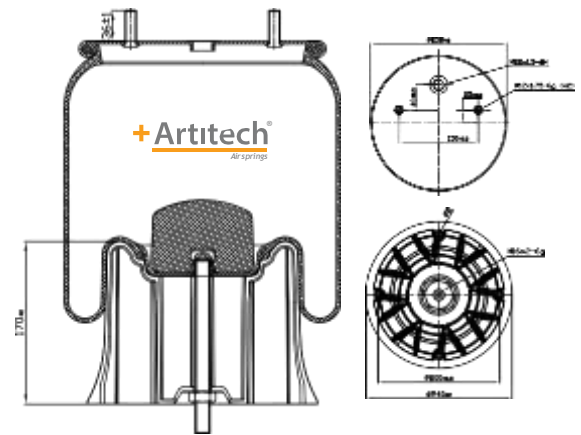
CODE
A4.2621.CP

CROSS REFERENCES

PHOENIX	1DK 22 E-13
VIBRACOUSTIC	V1DK22E-13
CF GOMMA	1T300-37/207719
GART	D278/S-278.1.453
AIRTECH	32621 CPP

OEM PART NO

SAF HOLLAND	3 229 0038 00
-------------	---------------



Product Explanation | Complete Plastic Piston

Pallet Quantity : 28

Product Weight : 7,50 Kg.

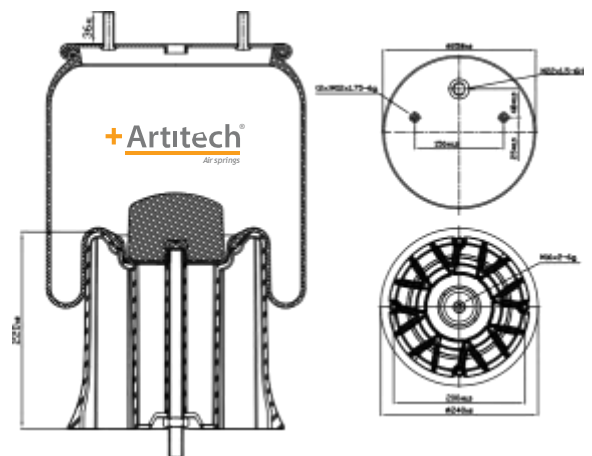
CODE
A4.2626.CP

CROSS REFERENCES

AIRTECH	32626 CPP
---------	-----------

OEM PART NO

SAF HOLLAND	3.229.0039.00
-------------	---------------



Product Explanation | Complete Plastic Piston

Pallet Quantity : 28

Product Weight : 8 Kg.

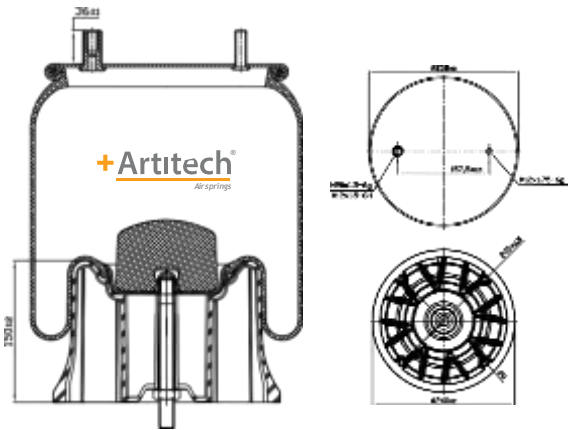
CODE
A4.2619.CP01

CROSS REFERENCES

AIRTECH 32619-01 CPP

OEM PART NO

SAF 2619 B
SAF 3 228 1033 00



Product Explanation | Complete Plastic Piston

Pallet Quantity : 28

Product Weight : 7 Kg.

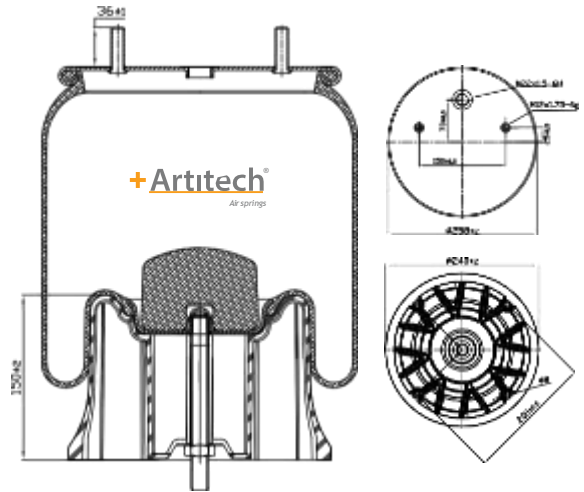
CODE
A4.2619.CP

CROSS REFERENCES

CONTITECH 4022 N P05
FIRESTONE 1T17BS-6
FIRESTONE W01-M58-8612
GOODYEAR 1R11-781
AIRTECH 32619 CPP

OEM PART NO

PHOENIX 1 DK 22 E-11
VIBRACOUSTIC V1DK22E-10
BLACKTECH RML75133CP5
FIRESTONE W01-M58-8612
FIRESTONE STYLE 1T17BS-6
GOODYEAR 1R11-781
GOODYEAR 566-22-3-526
CF GOMMA 566-22-3-526
CF GOMMA 1T300-37
GART 278.1.455
GART D278/S
SPRINGRIDE 1R11-781
SPRINGRIDE 566-22-3-526
PRIMERIDE 54022 A P05
PRIMERIDE 1R11-781
PRIMERIDE 566-22-3-526
DUNLOP D11B41
NEOTECH ABM 520 30 A 11



Product Explanation | Complete Plastic Piston

Pallet Quantity : 28

Product Weight : 7 Kg.

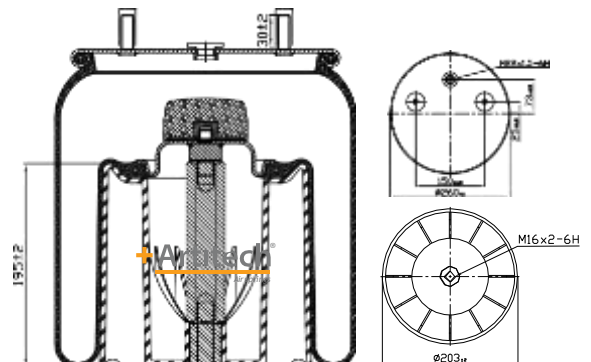
CODE
A4.941.CP01

CROSS REFERENCES

CONTITECH 941 MB P01

OEM PART NO

CONTITECH 40030 N P01
CONTITECH 941 MB P01
FIRESTONE NO. W01-M58-8072
FIRESTONE STYLE 1T17J-118
PHOENIX 1 DK 21-4
PRIMERIDE NEW 1R11-940



Product Explanation | Complete Plastic Piston

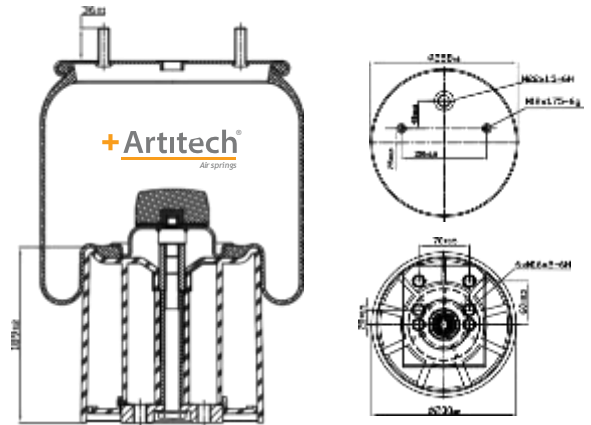
Pallet Quantity : 28

Product Weight : 7,80 Kg.

CODE
A4.941.CP

OEM PART NO

BLACKTECH	RML7052CP	GART NO.	293.2.512
CFGOMMA NO	206356	GART REF.	C293
CFGOMMA REF.	1TC300-36	GOODYEAR	1R11-743
CONTITECH	40030NP02	GOODYEAR FLEX NO.	566-22-3-500
CONTITECH	941MBP02	PHOENIX	1DK 21-2
CONTITECH	941MBP30	PRIMERIDE	5941A P04
DUNLOP	D11B33	PRIMERIDE NEW	1R11-743
DUNLOP UK	00935A-AP	PRIMERIDE NEW FLEX NO.	566-22-3-500
FIRESTONE NO.	W01-M58-8618	SPRINGRIDE	1R11-743
FIRESTONE NO.	W01-M58-8668	SPRINGRIDE FLEX	566-22-3-500
FIRESTONE STYLE	1T17D-8.3	VIBRACOUSTIC	VIDK21 Y1
FIRESTONE STYLE	1T17J-10.3		



Product Explanation | Complete Plastic Piston

Pallet Quantity : 28

Product Weight : 9,50 Kg.

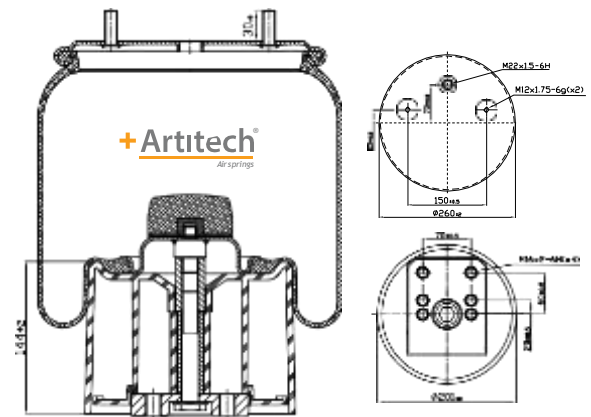
CODE
A4.940.CP

CROSS REFERENCES

CONTITECH	940 MB P30
FIRESTONE	1T17D-4,3
FIRESTONE	W01 M58 8585
GOODYEAR	1R11-752
SPRINGRIDE	D11B36

OEM PART NO

BPW	05 429 43 21 0
SCANIA	2198483
SCHMITZ	017 331
SCHMITZ	751 084



Product Explanation | Complete Plastic Piston

Pallet Quantity : 28

Product Weight : 8,50 Kg.

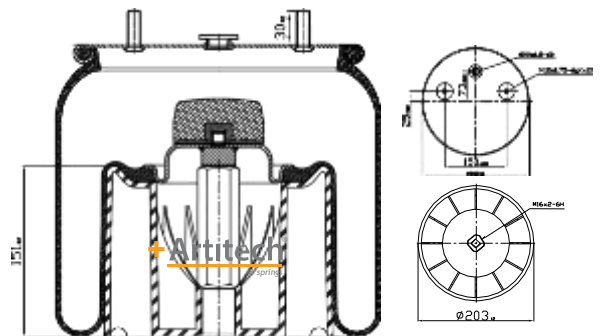
CODE
A4.940.CP01

CROSS REFERENCES

CONTITECH	940 MB P01
FIRESTONE	W01 M58 8073

OEM PART NO

BPW	05.429.43.86.0
-----	----------------



Product Explanation | Complete Plastic Piston

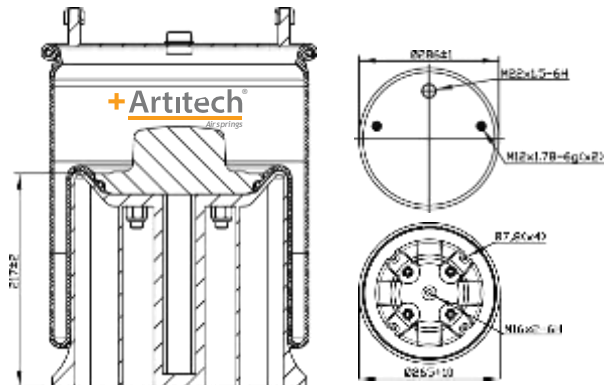
Pallet Quantity : 28

Product Weight : 6,50 Kg.

CODE
A4.912.CP

OEM PART NO

CONTITECH	912 N P04
FIRESTONE NO.	W01-M58-5542
FIRESTONE STYLE	1T19FB-15
FIRESTONE STYLE	C01-M58-1173
NEOTEC	ABM 760 33 C 49
PHOENIX	1 D 28 D-11
PRIME-RIDE NEW	1R14-890
PRIME-RIDE NEW FLEX NO.	566-28-3-510



Product Explanation | Complete Plastic Piston

Pallet Quantity : 28

Product Weight : 11,70 Kg.

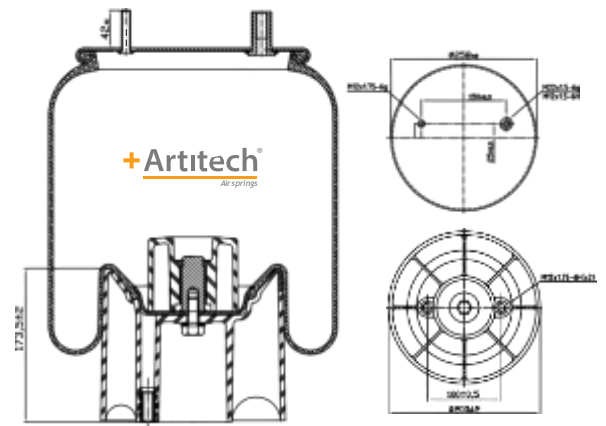
CODE
A4.4162.CP

CROSS REFERENCES

CONTITECH	4162 N P01
-----------	------------

OEM PART NO

DAIMLERTAS	A 946 328 2501
------------	----------------



Product Explanation | Complete Plastic Piston

Pallet Quantity : 28

Product Weight : 6,50 Kg.

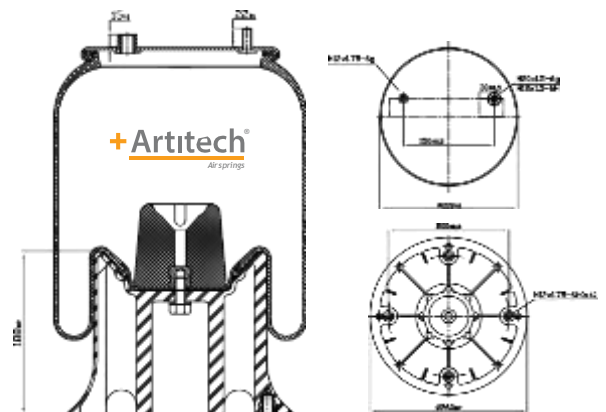
CODE
A4.4159.CP27

CROSS REFERENCES

FIRESTONE	W01 681 9242
-----------	--------------

OEM PART NO

GRANNING	11382
GRANNING	15699



Product Explanation | Complete Plastic Piston

Pallet Quantity : 28

Product Weight : 7,10 Kg.

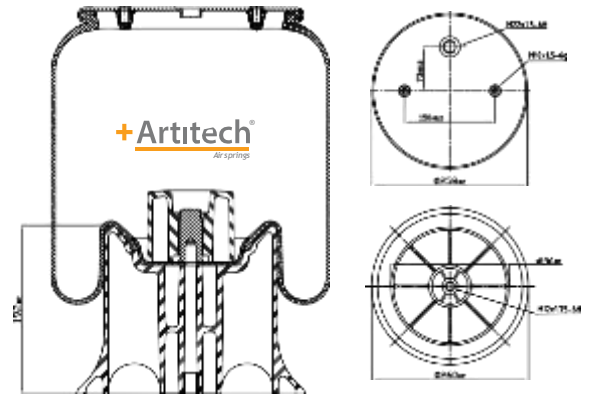
CODE
A4.4157.CP06

CROSS REFERENCES

CONTITECH	4157 N P06
DUNLOP	D11B37
FIRESTONE	1T15MPW-7
FIRESTONE	W01 M58 8186
GOODYEAR	1R11-764
PHOENIX	1DK 20 A-1

OEM PART NO

SCHMITZ	751 065
WEWELER	US 06316



Product Explanation | Complete Plastic Piston

Pallet Quantity : 28

Product Weight : 6,60 Kg.

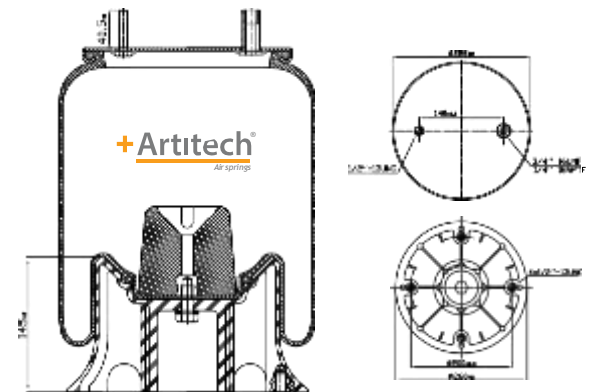
CODE
A4.4159.CP13

CROSS REFERENCES

CONTITECH	4159 N P13
CONTITECH	9 10-19 P 326
FIRESTONE	1T15M-9
FIRESTONE	W01 358 9192
GOODYEAR	1R12-167
TAURUS	6364
TRIANGLE	8326

OEM PART NO

HENDRICKSON	NA 1817
HENDRICKSON	S6195
LOADGUARD	SC2120
NAVISTAR/ FLEETRITE	1681738C1
NAVISTAR/ FLEETRITE	1681740C1
SAF HOLLAND	90557086
SAF HOLLAND	90557108
SAF HOLLAND	90557135
SAFHOLLAND	90557136
WATSON & CHALIN	AS0038&AS0046



Product Explanation | Complete Plastic Piston

Pallet Quantity : 28

Product Weight : 7,30 Kg.

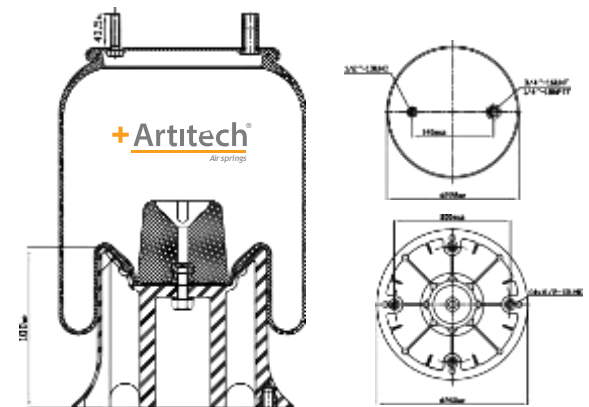
CODE
A4.4159.CP12

CROSS REFERENCES

CONTITECH	4159 N P12
CONTITECH	9 10-19 P 315
FIRESTONE	1T15M-9
FIRESTONE	W01 358 9101
GOODYEAR	1R12-717
TAURUS	6364
TRIANGLE	8315

O E PART NO

DAYTON	352-9101
HENDRICKSON	B3842
LOADGUARD	SA2038
NAVISTAR/ FLEETRITE	554768C1
MREYCO	12883-01
RIDEWELL	1003589101C
RIDEWELL	S-5828-C
RIDEWELL	S-740-C
VOLVO	85101149
WATSON&CHALIN	AS-0040



Product Explanation | Complete Plastic Piston

Pallet Quantity : 28

Product Weight : 7 Kg.

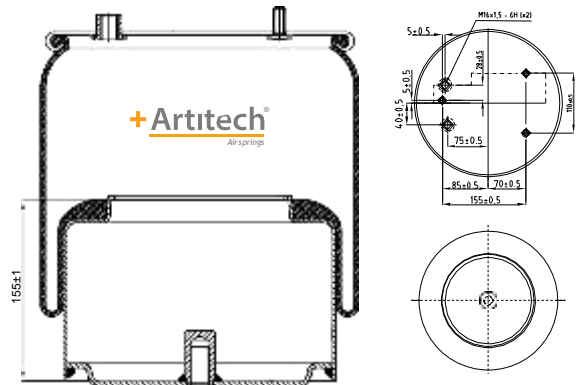
CODE
A4.836.C50

CROSS REFERENCES

BLACKTECH	RML7947-2C1
CONTITECH	836 M2 K1
DUNLOP	D13B31
FIRESTONE	W01-M58-8721
FIRESTONE STYLE	1T17AR-4.5
GART NO.	302.1.375/2
GART REF.	C302
GOODYEAR	1R12-711
GOODYEAR FLEX NO.	566-24-3-500
NEOTEC	ABM 507 31 C 01
PHOENIX	1 DF 25-13
PRIMERIDE	5836 A2 P01
PRIMERIDE NEW	1R12-711
PRIMERIDE NEW FLEX NO.	566-24-3-500
SPRINGRIDE	1R12-711
SPRINGRIDE FLEX	566-24-3-500
TAURUS	KR721-03
VIBRACOUSTIC	VIDF25-13

OEM PART NO

DAF 0 388 167



Product Explanation | Complete Plastic Piston

Pallet Quantity : 36

Product Weight : 9,10 Kg.

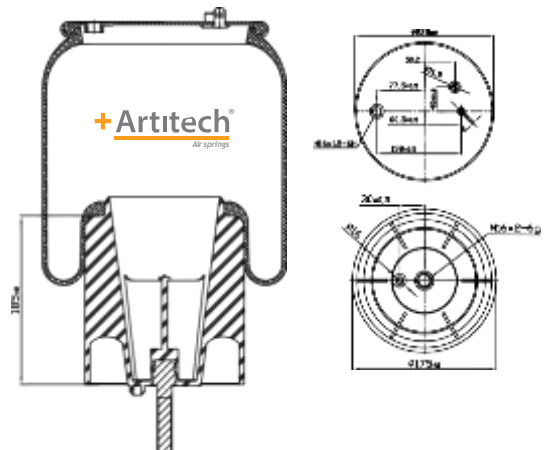
CODE
A4.4930.CP

CROSS REFERENCES

FIRESTONE	1T15UR-9
FIRESTONE	W01 M58 8653

OEM PART NO

SCANIA 1434930



Product Explanation | Complete Plastic Piston

Pallet Quantity : 39

Product Weight : 8 Kg.

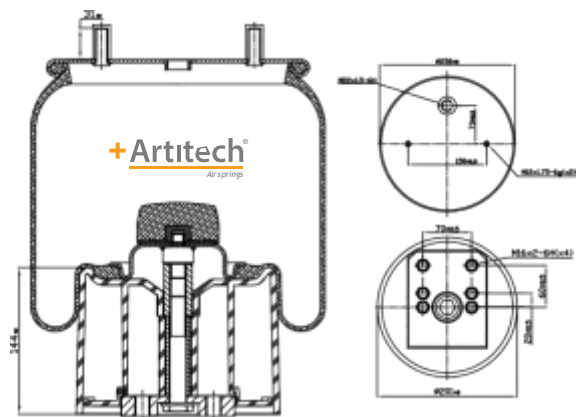
CODE
A4.4961.CP

CROSS REFERENCES

CONTITECH	4961 N P03
-----------	------------

OEM PART NO

BPW 05.429.43.27.0



Product Explanation | Complete Plastic Piston

Pallet Quantity : 28

Product Weight : 8,50 Kg.

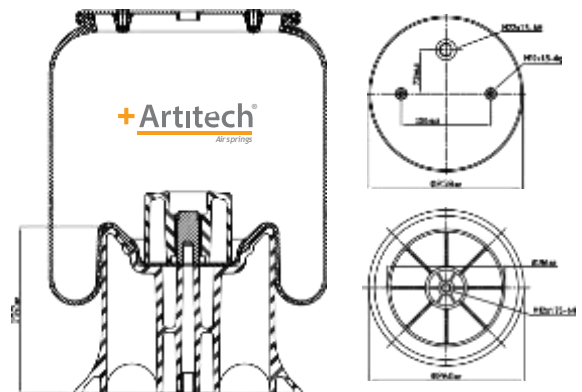
CODE
A4.4157.CP06

CROSS REFERENCES

CONTITECH	4157 N P06
DUNLOP	D11B37
FIRESTONE	1T15MPW-7
FIRESTONE	W01 M58 8186
GOODYEAR	1R11-764
PHOENIX	1DK 20 A-1

OEM PART NO

SCHMITZ	751 065
WEWELER	US 06316



Product Explanation | Complete Plastic Piston

Pallet Quantity : 28

Product Weight : 6,60 Kg.

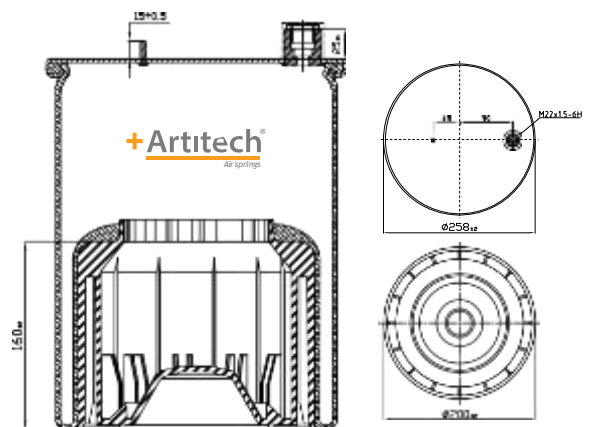
CODE
A4.6122.CP06

CROSS REFERENCES

CONTITECH	6122 N P46
-----------	------------

OEM PART NO

MERCEDES	A 960 320 00 57
MERCEDES	A 960 320 67 57
MERCEDES	A 960 320 70 21



Product Explanation | Complete Plastic Piston

Pallet Quantity : 28

Product Weight :5,30 Kg.

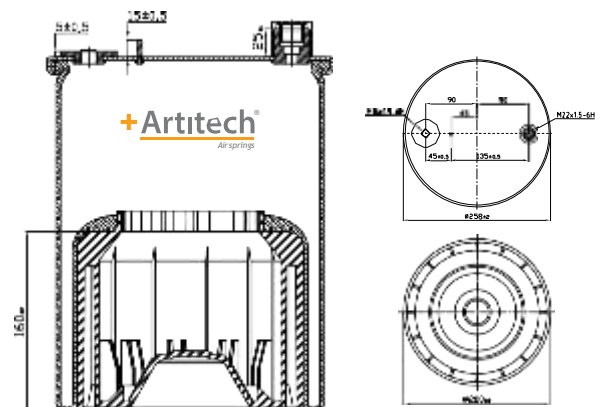
CODE
A4.6122.CP07

CROSS REFERENCES

CONTITECH	6122 N P47
-----------	------------

OEM PART NO

MERCEDES	A 960 320 01 57
MERCEDES	A 960 320 68 57
MERCEDES	A 960 320 77 21



Product Explanation | Complete Plastic Piston

Pallet Quantity : 28

Product Weight : 5,65 Kg.

CODE
A4.6238.CP

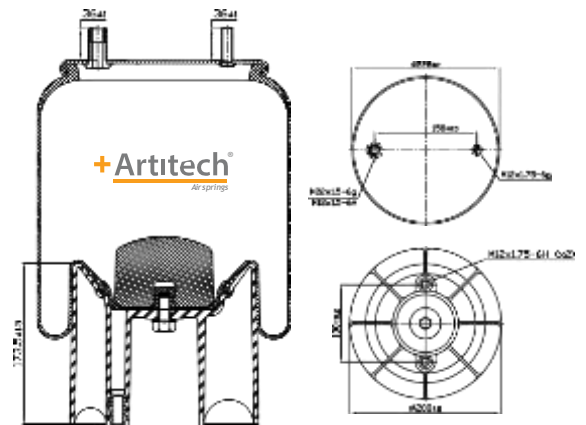
CROSS REFERENCES

FIRESTONE 1T15MPW-9
FIRESTONE W01 M58 6238

OEM PART NO

LECINENA US06288F

Product Explanation | Complete Plastic Piston



Pallet Quantity : 28

Product Weight : 6,40 Kg.

CODE
A4.6251.CP

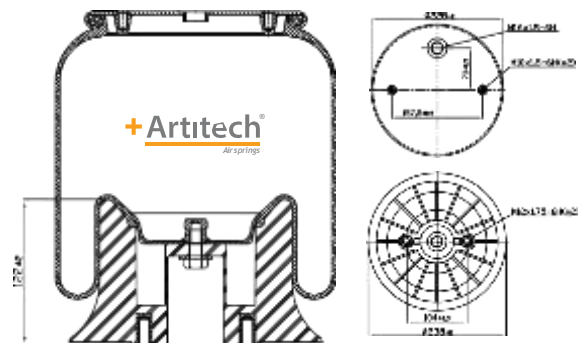
CROSS REFERENCES

CONTITECH 6705 N P01
FIRESTONE 1T15LP-3
FIRESTONE W01 M58 6251
GOODYEAR 1R11-822
GOODYEAR 1R11-826
GOODYEAR 1R11-902

O E P R N O
M A T

SCANIA 1314903
SCANIA 1402423

Product Explanation | Complete Plastic Piston



Pallet Quantity : 36

Product Weight : 5 Kg.

CODE
A4.6318.CP

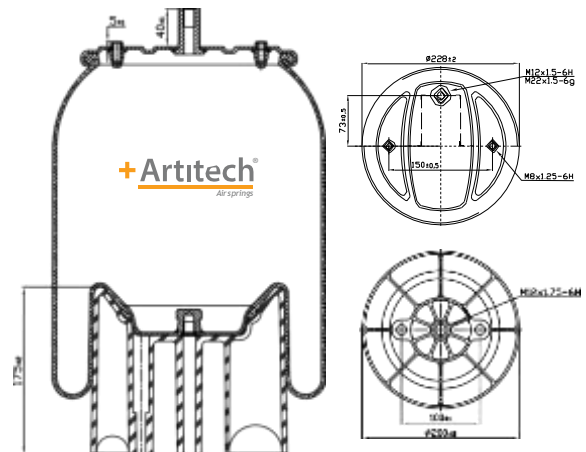
CROSS REFERENCES

FIRESTONE 1T15MPW-9
FIRESTONE W01 M58 6318

OEM PART NO

SCHMITZ 016 512
WEWELER US 06318 F

Product Explanation | Complete Plastic Piston



Pallet Quantity : 30

Product Weight : 6 Kg.

CODE
A4.6318.CP01

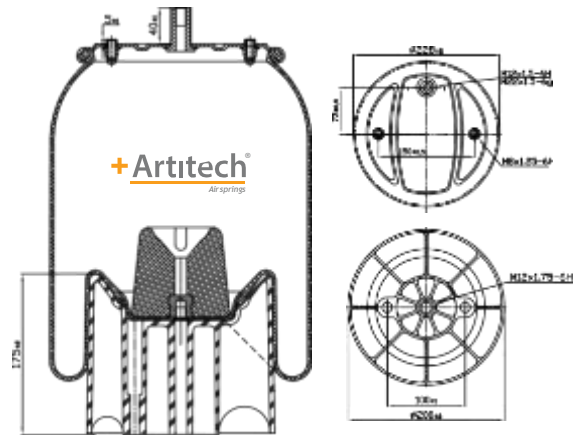
CROSS REFERENCES

FIRESTONE 1T15MPW-9
FIRESTONE W01 M58 6318

OEM PART NO

SCHMITZ 016 512
WEWELER US 06318 F

Product Explanation | Complete Plastic Piston



Pallet Quantity : 30

Product Weight : 6,71 Kg.

CODE
A4.8608.CP

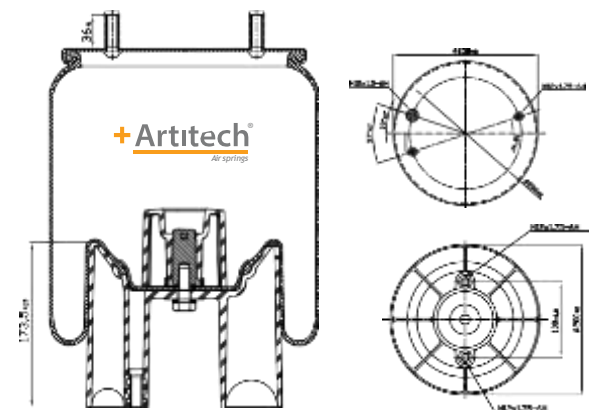
CROSS REFERENCES

FIRESTONE 1T17DJ-7
FIRESTONE W01 M58 8608

OEM PART NO

MERITOR (ROR) 2122 9214
MERITOR (ROR) 2122 9626

Product Explanation | Complete Plastic Piston



Pallet Quantity : 28

Product Weight : 6,60 Kg.

CODE
A4.8829.CP

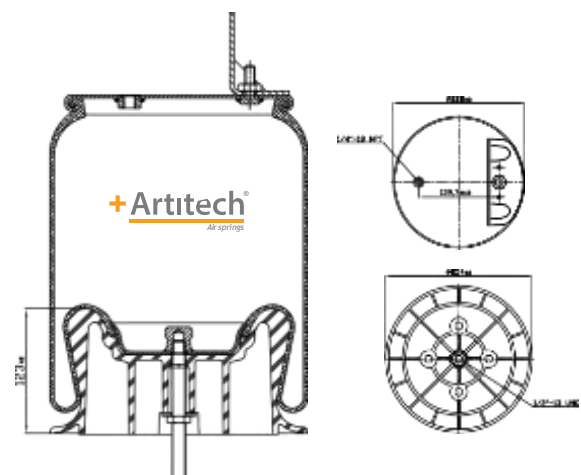
CROSS REFERENCES

CONTITECH 9 10-16 P 499
FIRESTONE 1T15M-6
FIRESTONE W01 358 8829
GOODYEAR 1R12-615

OEM R NO
PA

VOLVO 3934699
VOLVO 8079902

Product Explanation | Complete Plastic Piston



Pallet Quantity : 28

Product Weight : 6 Kg.

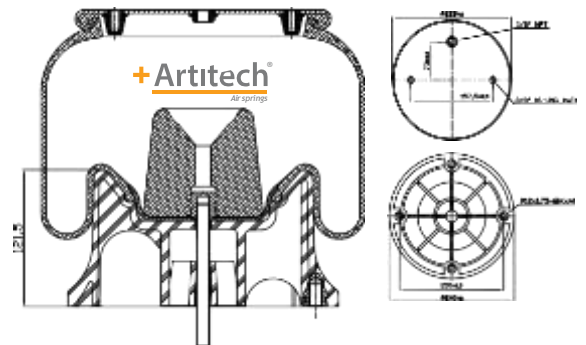
CODE
A4.9069.CP

CROSS REFERENCES

CONTITECH	9 10-14 P 312
FIRESTONE	1T15M-4
FIRESTONE	W01 358 9069
GOODYEAR	1R12-069
TAURUS	KR 504-9069

OEM PART NO

BAYTON	352-9069
FODEN	1300248000
HENDRICKSON	S13031
LOADGUARD	SC 2034
NETAM/ FRUEHAUF	./.
PETERBILT	03 7112
PETERBILT	03-02456
PETERBILT	03-04759
WATSON & CHALIN	AS-0077



Product Explanation | Complete Plastic Piston

Pallet Quantity : 28

Product Weight : 6 Kg.

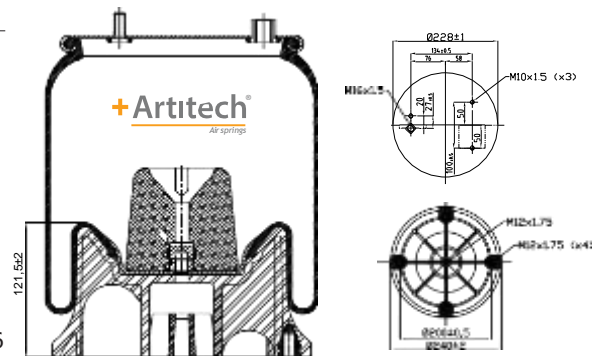
CODE
A4.9069.CP50

CROSS REFERENCES

CONTITECH	4159 N P13
CONTITECH	9 10-19 P 326
FIRESTONE	1T15M-9
FIRESTONE	W01 358 9192
GOODYEAR	1R12-167
TAURUS	6364
TRIANGLE	8326

O E P R N O
M A T

HENDRICKSON	NA 1817
HENDRICKSON	S6195
LOADGUARD	SC2120
NAVSTAR/ FLEETRITE	1681738C1
NAVSTAR/ FLEETRITE	1681740C1
SAFHOLLAND	90557086
SAFHOLLAND	90557108
SAFHOLLAND	90557135
SAFHOLLAND	90557136
WATSON & CHALIN	AS0038&AS0046



Product Explanation | Complete Plastic Piston

Pallet Quantity : 28

Product Weight : 6 Kg.

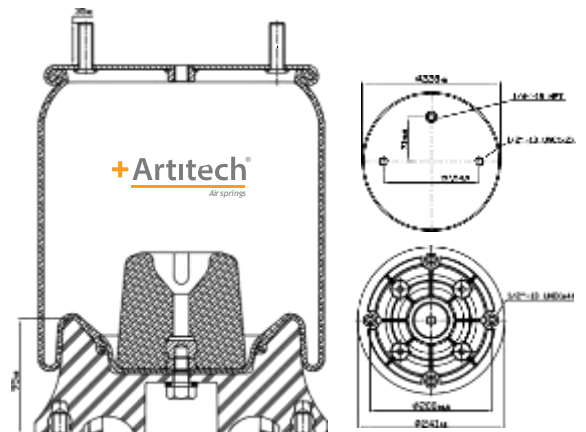
CODE
A4.9391.CP

CROSS REFERENCES

FIRESTONE	1T15L-4
FIRESTONE	W01 358 9391

OEM PART NO

FRUEHAUF	CF153678
MERITOR (ROR)	21223269 / MLF7130
SCANIA	ST10078295



Product Explanation | Complete Plastic Piston

Pallet Quantity : 28

Product Weight : 5,8 Kg.

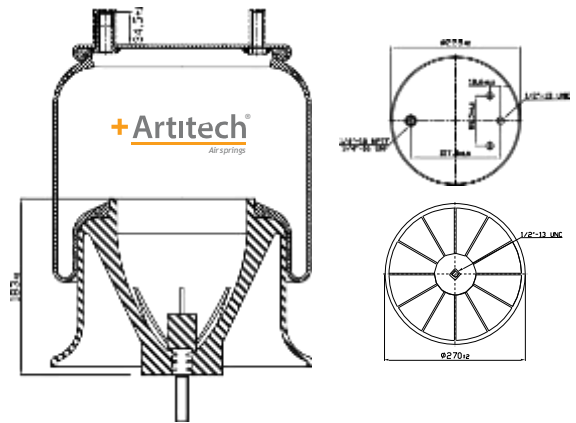
CODE
A4.9780.CP

CROSS REFERENCES

CONTITECH	9 10 S-16 P 382
FIRESTONE	1T15ZR-6
FIRESTONE	W01 358 9780
GOODYEAR	1R12-303
TRIANGLE	8382P

OEM PART NO

FREIGHTLINER	16-13810-000
FREIGHTLINER	681-320-0017



Product Explanation | Complete Plastic Piston

Pallet Quantity : 36

Product Weight : 8,50 Kg.

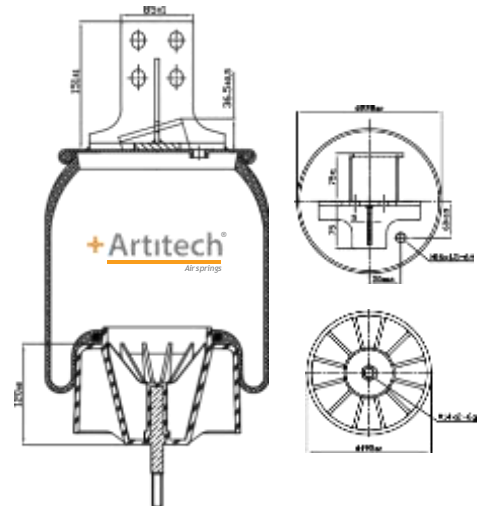
CODE
A4.27023.CP01

CROSS REFERENCES

CF GOMMA	1TS 270-23C 206685
----------	-----------------------

OEM PART NO

IVECO	41270466
-------	----------



Product Explanation | Complete Plastic Piston

Pallet Quantity : 39

Product Weight :6,70 Kg.

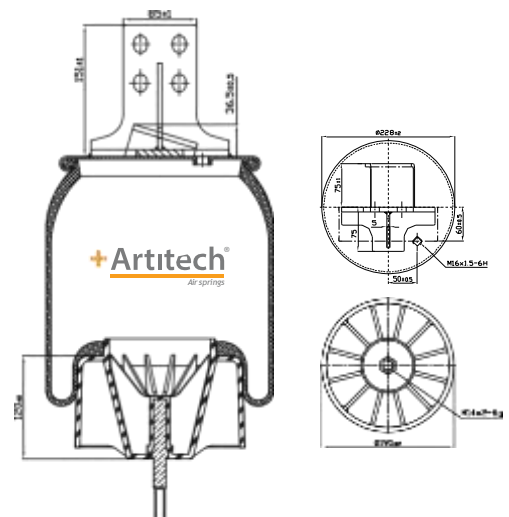
CODE
A4.27023.CP02

CROSS REFERENCES

CF GOMMA	1TS 270-23C 206684
----------	--------------------

OEM PART NO

IVECO	41270465
-------	----------



Product Explanation | Complete Plastic Piston

Pallet Quantity : 39

Product Weight : 6,70 Kg.

CODE
A4.27023.CP03

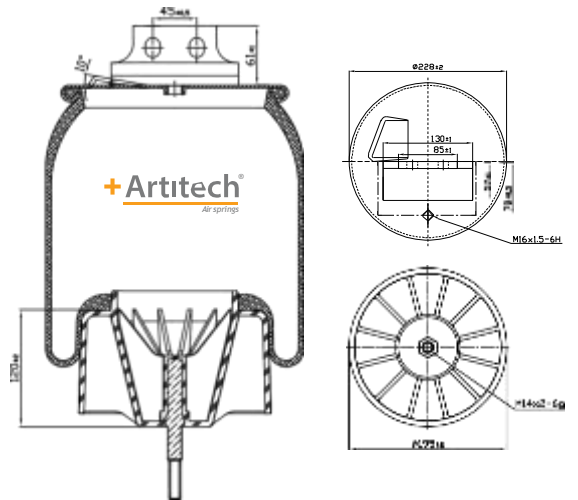
CROSS REFERENCES

CF GOMMA
1TS 270-23C 206686

OEM PART NO

IVECO 41270462

Product Explanation | Complete Plastic Piston



Pallet Quantity : 39

Product Weight : 5,60 Kg.

CODE
A4.27023.CP04

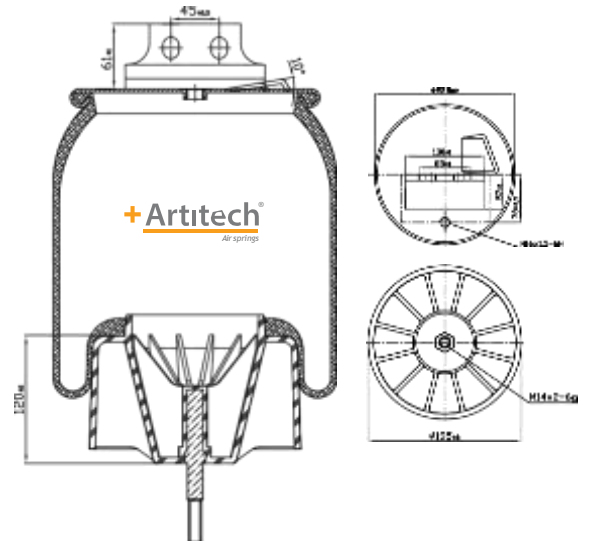
CROSS REFERENCES

CF GOMMA 1TS270-23C 206687
FIRESTONE 1T15LNR-4.5
FIRESTONE W01 M58 8557
FIRESTONE W01 M58 8662
PHOENIX 1 DF 20 G-2

OEM PART NO

IVECO 41270463
IVECO 500042584

Product Explanation | Complete Plastic Piston



Pallet Quantity : 39

Product Weight :5,6 Kg.

03

SERVICE ASSEMBLY



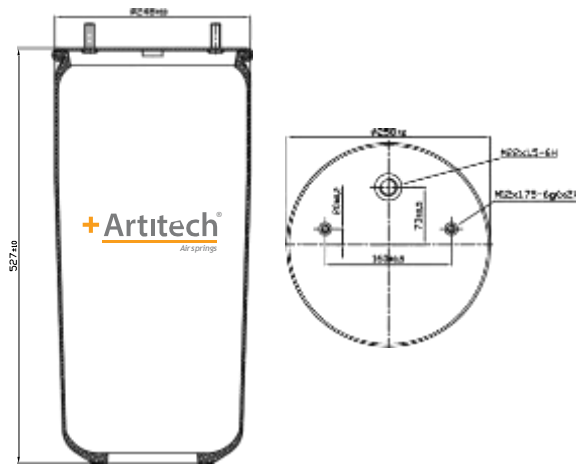
CODE
A4.724.S01

CROSS REFERENCES

CONTITECH 724 NP 01
GOODYEAR 1R11-711

OEM PART NO

GIGANT 246169
GIGANT 3053



Product Explanation | Service Assembly

Pallet Quantity : 45

Product Weight : 1,40 Kg.

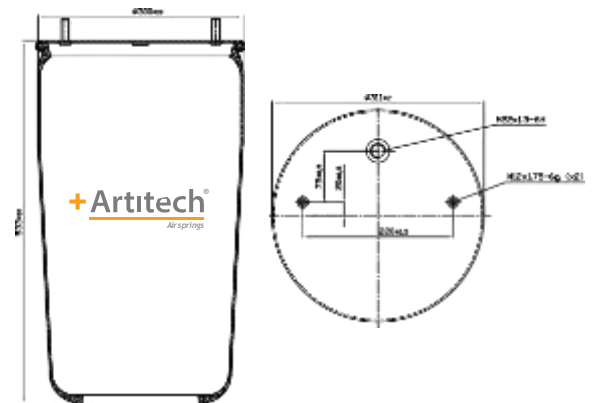
CODE
A4.725.S01

CROSS REFERENCES

CONTITECH 725 N P01
CF GOMMA 1TC 360-45
GOODYEAR 1R14-704

OEM PART NO

GIGANT 166217
GIGANT 246149
GIGANT 3653



Product Explanation | Service Assembly

Pallet Quantity : 45

Product Weight : 1,80 Kg.

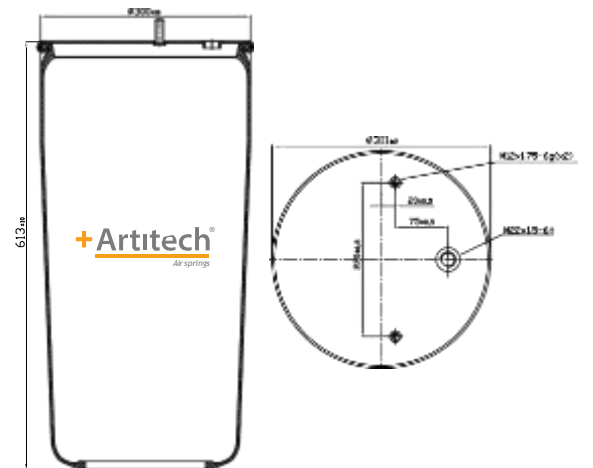
CODE
A4.726.S01

CROSS REFERENCES

CONTITECH 726 N P01
VIBRACOUSTIC
V1DF32C-166253

OEM PART NO

GIGANT 246192
GIGANT 3661-726 N



Product Explanation | Service Assembly

Pallet Quantity : 45

Product Weight : 1,80 Kg.

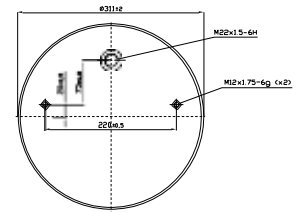
CODE
A4.752.S01

CROSS REFERENCES

CONTITECH 752 N P01
VIBRACOUSTIC
V1 DF32-166228

OEM PART NO

GIGANT 247100



Product Explanation | Service Assembly

Pallet Quantity : 45

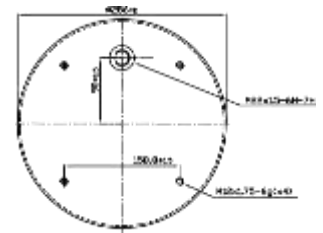
Product Weight : 1,80 Kg.

CODE
A4.810.S

CROSS REFERENCES

CONTITECH 810 MB/O
FIRESTONE 1T19L-7
FIRESTONE W01 M58 7237

OEM PART NO



Product Explanation | Service Assembly

Pallet Quantity : 45

Product Weight : 1,40 Kg.

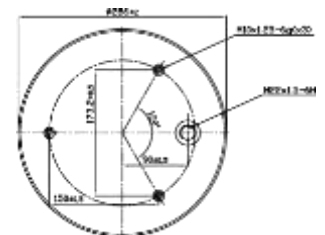
CODE
A4.811.S

CROSS REFERENCES

CONTITECH 811 MB/O
CF GOMMA 1T19 E-2
PHOENIX 1D 28 B-2
FIRESTONE W01 M58 6359
TAURUS K 622-26 SM
DUNLOP SP 2066
FIRESTONE 1T19F-11

OEM PART NO

DAF 0 526 823
EVOBUS 4 731 029 000
DAF 0 067 306



Product Explanation | Service Assembly

Pallet Quantity : 45

Product Weight : 1,25 Kg.

CODE
A4.811.S1

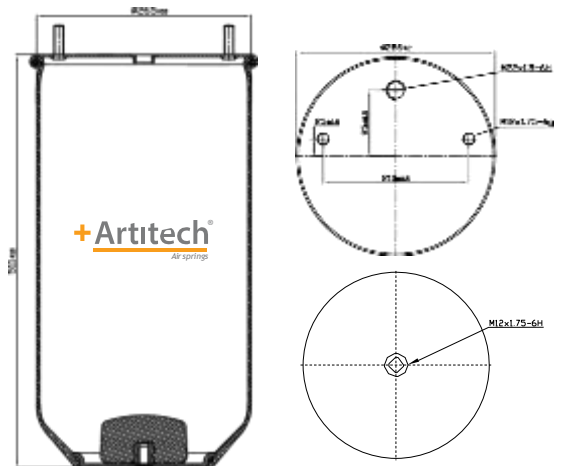
CROSS REFERENCES

CONTITECH 811 M

OEM PART NO

DAF 0 067 306
DAF 0 676 122

Product Explanation | Service Assembly



Pallet Quantity : 45

Product Weight : 1,40 Kg.

CODE
A4.813.S

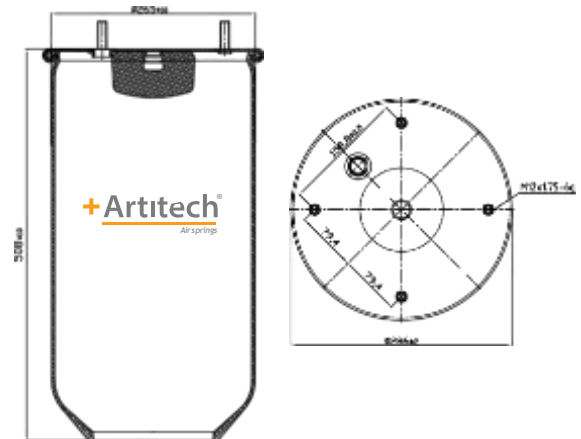
CROSS REFERENCES

CONTITECH 813 MB/0
FIRESTONE 1T19L-11
FIRESTONE W01 M58 7238

OEM PART NO

ROR ./.
SAF HOLLAND ./.

Product Explanation | Service Assembly



Pallet Quantity : 45

Product Weight : 1,80 Kg.

CODE
A4.836.S

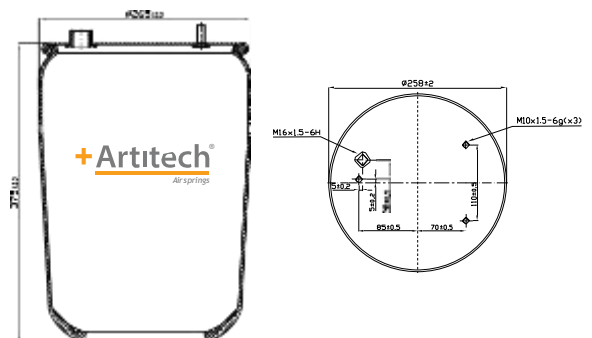
CROSS REFERENCES

CONTITECH 836 M
GOODYEAR 1R12-700
FIRESTONE 1T17AR-4.5
FIRESTONE W01 M58 0776

OEM PART NO

DAF 0 067 504

Product Explanation | Service Assembly



Pallet Quantity : 45

Product Weight : 1,80 Kg.

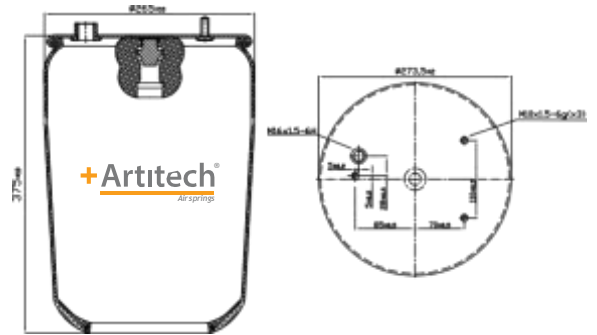
CODE
A4.836.S1

CROSS REFERENCES

CONTITECH 836 MB

OEM PART NO

VDL BUS 0 513 985



Product Explanation | Service Assembly

Pallet Quantity : 45

Product Weight : 1,80 Kg.

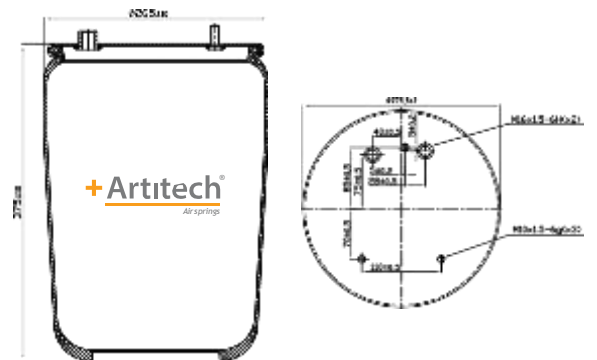
CODE
A4.836.S2

CROSS REFERENCES

CONTITECH 836 M2
GOODYEAR 1R12-710
FIRESTONE 1T17AR-4.5
FIRESTONE W01 M58 0777

OEM PART NO

DAF 0 513 982



Product Explanation | Service Assembly

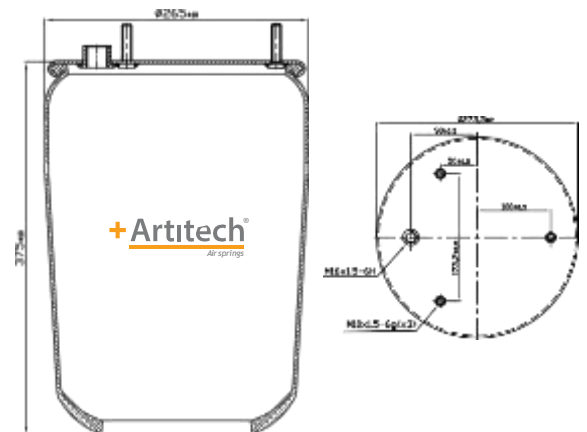
Pallet Quantity : 45

Product Weight :1,40 Kg.

CODE
A4.836.S11

CROSS REFERENCES

OEM PART NO



Product Explanation | Service Assembly

Pallet Quantity : 45

Product Weight :1,25 Kg.

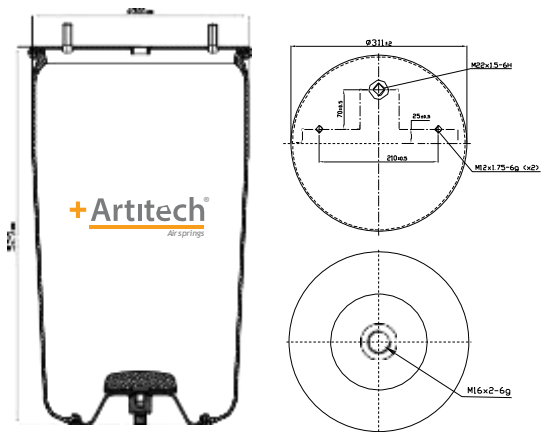
CODE
A4.881.S

CROSS REFERENCES

CONTITECH	881 MB
DUNLOP	D14U36
FIRESTONE	1T66F-10.8
GOODYEAR	1R14-708
PHOENIX	1DK 32-1/36
TAURUS	UR 836-01 T
FIRESTONE	W01 M58 8978

OEM PART NO

BPW 05 429 40 01 0



Product Explanation | Service Assembly

Pallet Quantity : 45

Product Weight : 1,40 Kg.

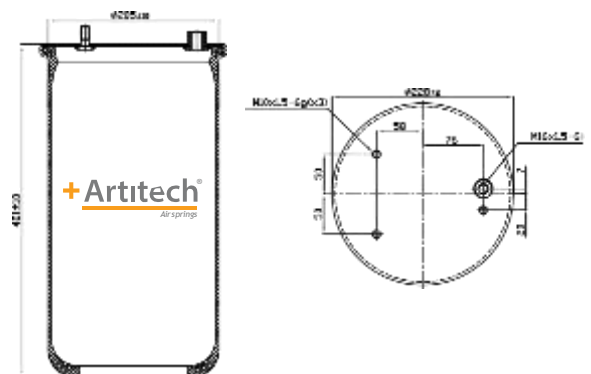
CODE
A4.887.S

CROSS REFERENCES

CONTITECH	725 N P01
CF GOMMA	1TC 360-45
GOODYEAR	1R14-704

OEM PART NO

DAF 0 513 983
VDL BUS 0 513 983



Product Explanation | Service Assembly

Pallet Quantity : 45

Product Weight :1,80 Kg.

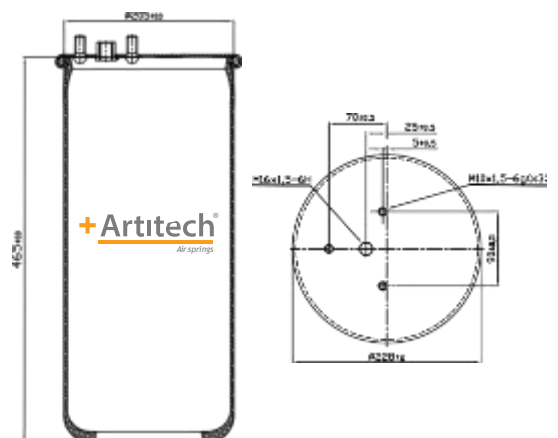
CODE
A4.889.S

CROSS REFERENCES

CONTITECH	889 M
-----------	-------

OEM PART NO

DAF 1 276 846



Product Explanation | Service Assembly

Pallet Quantity : 45

Product Weight :1,80 Kg.

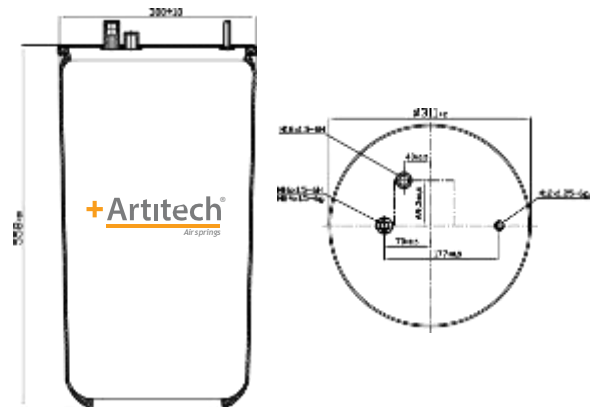
CODE
A4.901.S

CROSS REFERENCES

CONTITECH 901 MB

OEM PART NO

RENAULT RVI 5010 052 722
RENAULT RVI 5010 130 683



Product Explanation | Service Assembly

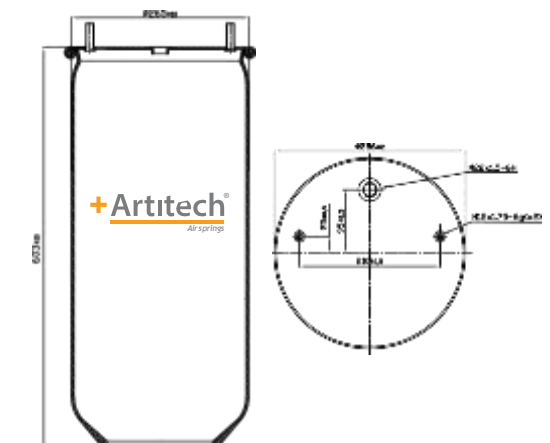
Pallet Quantity : 45

Product Weight : 1,80 Kg.

CODE
A4.912.S01

CROSS REFERENCES

OEM PART NO



Product Explanation | Service Assembly

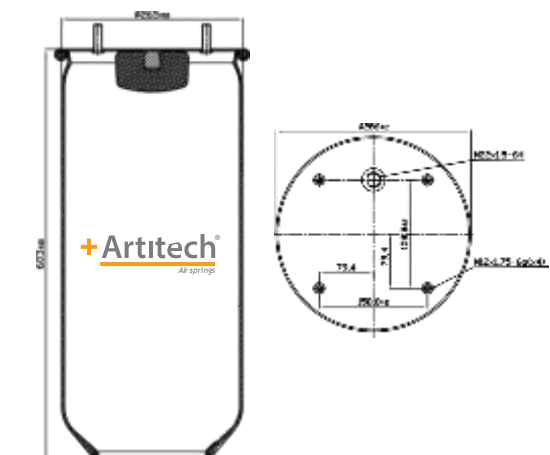
Pallet Quantity : 45

Product Weight : 1,40 Kg.

CODE
A4.912.S02

CROSS REFERENCES

OEM PART NO



Product Explanation | Service Assembly

Pallet Quantity : 45

Product Weight : 1,25 Kg.

CODE
A4.940.S

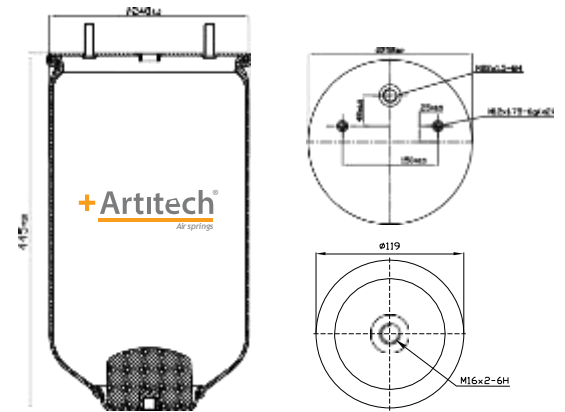
CROSS REFERENCES

CONTITECH	940 MB
CF GOMMA	ITC 300-30 205536
GOODYEAR	1R11-703
PHOENIX	1DK 21K
SPRINGRIDE	D11U31
TAURUS UR	732-01 T
FIRESTONE	1T17D-4,3
FIRESTONE	W01 M58 8613"

OEM PART NO

BPW 05 429 40 91 0

Product Explanation | Service Assembly



Pallet Quantity : 45

Product Weight : 1,40 Kg.

CODE
A4.941.S

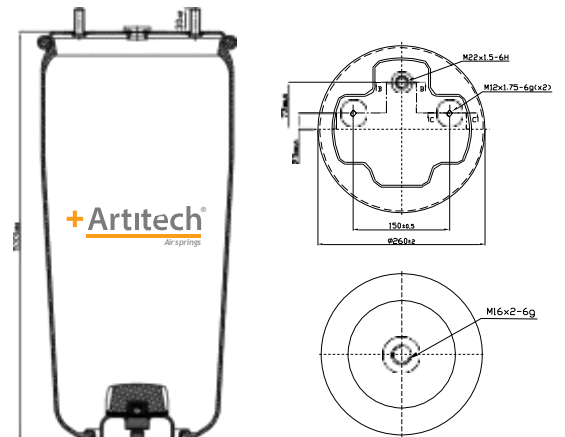
CROSS REFERENCES

CONTITECH	941 MB
CF GOMMA	ITC 300-36 204466
PHOENIX	1DK 21
SPRINGRIDE	D11U30
TAURUS UR	730-01 T
FIRESTONE	1T17D-8.3
GOODYEAR	1R11-700
FIRESTONE	W01 M58 8620

OEM PART NO

BPW 05 429 40 03 0

Product Explanation | Service Assembly



Pallet Quantity : 45

Product Weight : 1,80 Kg.

CODE
A4.942.S

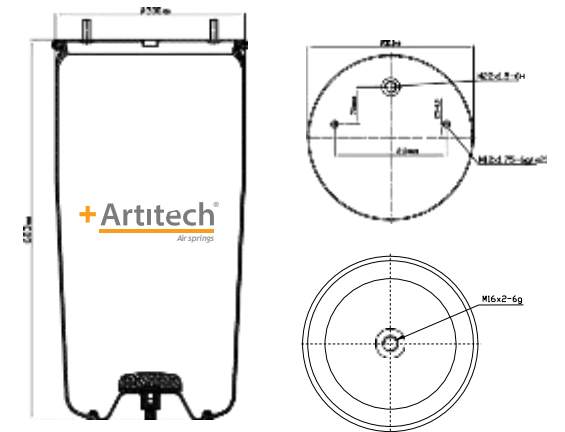
CROSS REFERENCES

CONTITECH	942 MB
GOODYEAR	1R14-700
PHOENIX	1DK 32-1
FIRESTONE	1T66F-13.5
FIRESTONE	W01 M58 8611
TAURUS	UR 837-01

OEM PART NO

BPW 05 429 40 05 0

Product Explanation | Service Assembly



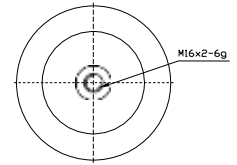
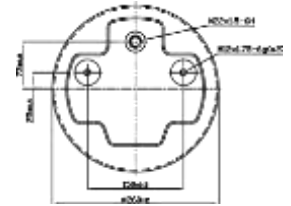
Pallet Quantity : 45

Product Weight : 1,80 Kg.

CODE
A4.951.S

CROSS REFERENCES	CONTITECH 951 MB

OEM PART NO	BPW 05.429.40.720



Product Explanation | Service Assembly

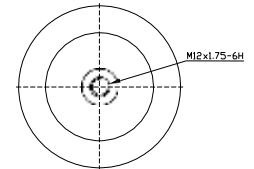
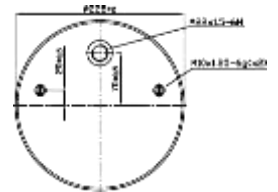
Pallet Quantity : 45

Product Weight : 1,80 Kg.

CODE
A4.1210.S

CROSS REFERENCES	CF GOMMA 1T 323-40 96864

OEM PART NO	



Product Explanation | Service Assembly

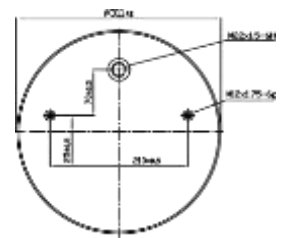
Pallet Quantity : 45

Product Weight :1,40 Kg.

CODE
A4.2725.S

CROSS REFERENCES	AIRTECH 32725 P

OEM PART NO	



Product Explanation | Service Assembly

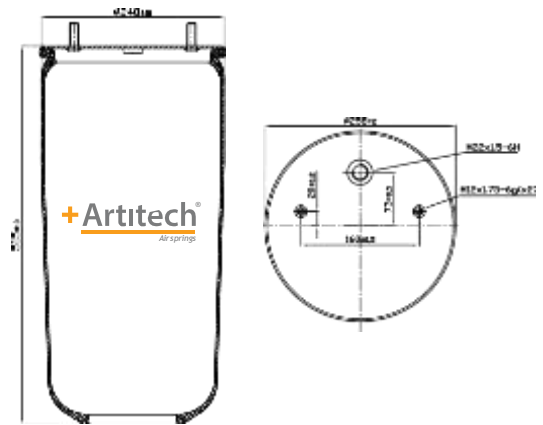
Pallet Quantity : 45

Product Weight :1,25 Kg.

CODE
A4.3053.S

CROSS REFERENCES	VIBRACOUSTIC	V1DF 21

OEM PART NO	GIGANT	3053
	GIGANT	00246169



Product Explanation | Service Assembly

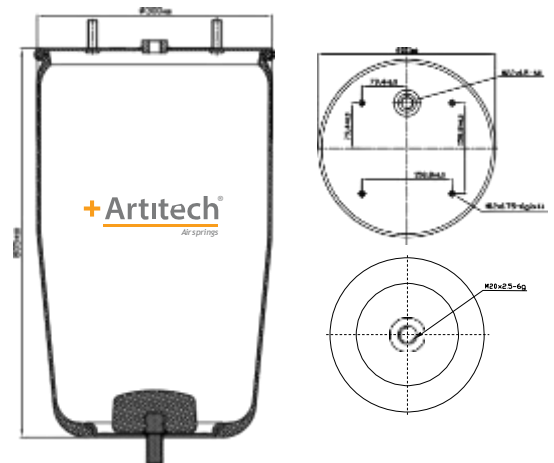
Pallet Quantity : 45

Product Weight : 1,40 Kg.

CODE
A4.3138.S

CROSS REFERENCES	CONTITECH	3138 N P01
	VIBRACOUSTIC	V1DK33-3138
	CF GOMMA	TC360-59 202560

OEM PART NO	SAF HOLLAND	4.284.3004.00
	SAF HOLLAND	3.228.0048.00
	SAF HOLLAND	3.228.0049.00
	SAF HOLLAND	3.228.0050.00
	SAF HOLLAND	3.228.0019.00
	SAF HOLLAND	3.228.0022.00
	SAF HOLLAND	3.228.0023.00
	SAF HOLLAND	3138 SERV.ASSY.



Product Explanation | Service Assembly

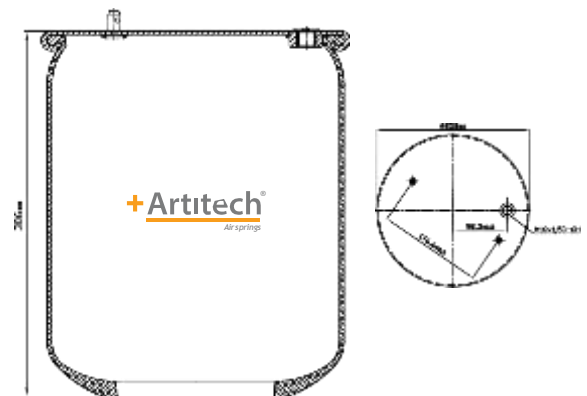
Pallet Quantity : 45

Product Weight : 1,80 Kg.

CODE
A4.3452.S01

CROSS REFERENCES	CONTITECH	6620 N P01
	PHOENIX	1 DF 25 C - 1 NP
	GOODYEAR	1R12-826
	GOODYEAR	1R12-824
	GOODYEAR	1R12-857

OEM PART NO	VOLVO	21 513 836
		(MODEL B7RLE/ B9LE/ B9RLE/ B9S/ B9T)



Product Explanation | Service Assembly

Pallet Quantity : 45

Product Weight : 1,80 Kg.

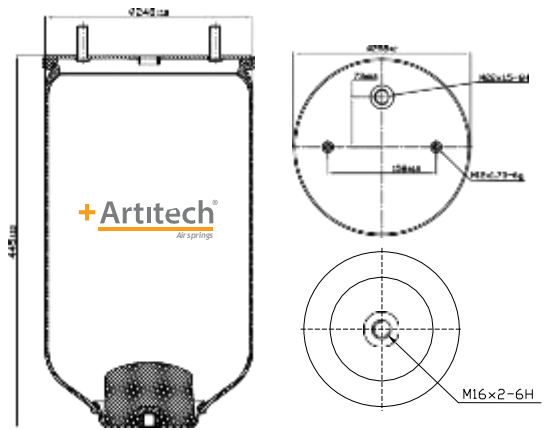
CODE
A4.4004.S02

CROSS REFERENCES

CONTITECH	4004 N P02
CF GOMMA	1T 300-37
FIRESTONE	1T17BS-6
GART D278S	278.4.451
GOODYEAR	1R11-705
PHOENIX	1DK22 E-8 NP
SPRINGRIDE	D12U13
FIRESTONE	W01 M58 0919

OEM PART NO

SAF HOLLAND	4.284.3003.01
-------------	---------------



Product Explanation | Service Assembly

Pallet Quantity : 45

Product Weight : 1,80 Kg.

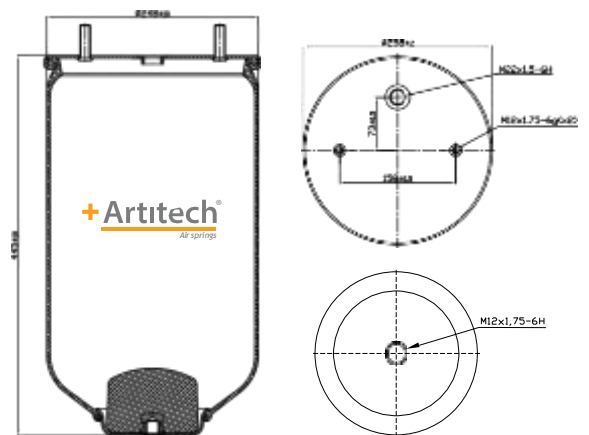
CODE
A4.4004.S05

CROSS REFERENCES

CONTITECH	4004 N P05 (WITHOUT PISTON)
AIRTECH	34004-05 P

OEM PART NO

SAF	3.229.007.00
-----	--------------



Product Explanation | Service Assembly

Pallet Quantity : 45

Product Weight :1,40 Kg.

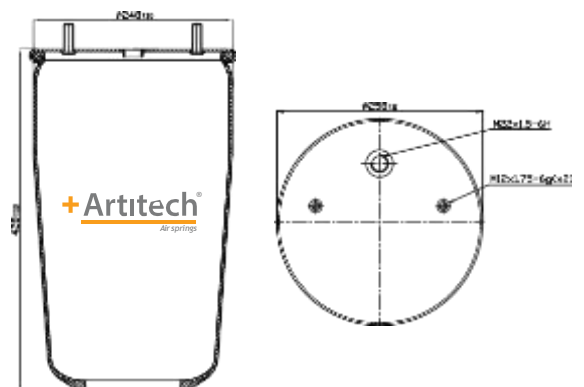
CODE
A4.4007.S01

CROSS REFERENCES

CONTITECH	4007 N P01
-----------	------------

OEM PART NO

GIGANT	166271
GIGANT	274104, 3042



Product Explanation | Service Assembly

Pallet Quantity : 45

Product Weight :1,25 Kg.

CODE
A4.4022.S02

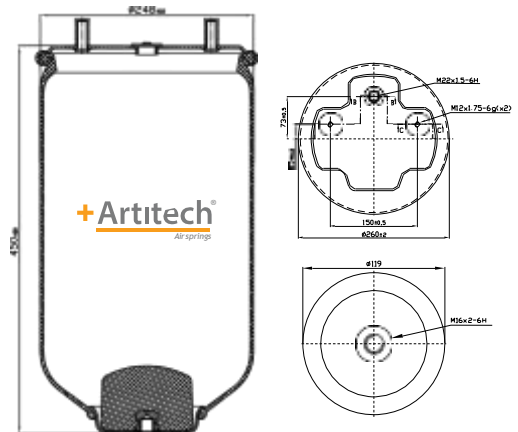
CROSS REFERENCES

FIRESTONE	1T17BS-6
GART D278S	278.0.452
GOODYEAR	1R11-709
PHOENIX	1DK22 E-9 NP
SPRINGRIDE	D11U40
VIBRACOUSTIC	V1DK22 E-9 NP
FIRESTONE	W01 M58 0756
CONTITECH	4022 N P02"

OEM PART NO

SAF HOLLAND	4.284.3006.00
-------------	---------------

Product Explanation | Service Assembly



Pallet Quantity : 45

Product Weight : 1,40 Kg.

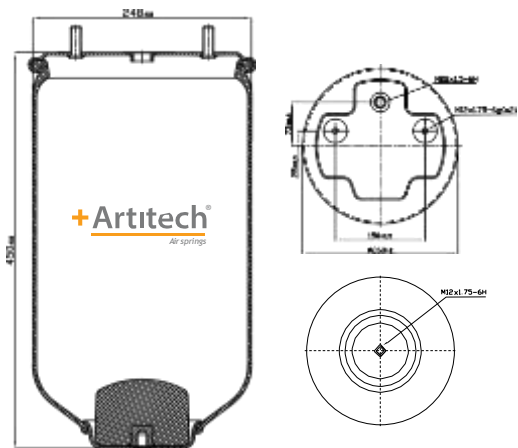
CODE
A4.4022.S05

CROSS REFERENCES

CONTITECH	4022 N P05 (WITHOUT PISTON)
PHOENIX	1DK 22 E-11
FIRESTONE	1T17BS-6
FIRESTONE	W01-M58-8612
GOODYEAR	1R11-781
GOODYEAR	566-22-3-526
VIBRACOUSTIC	V 1 DK 22 E-10
CF GOMMA	1T300-37/206585
GART	278.1.455/D278/S
BLACKTECH RML	75133 CP5
AIRTECH	32619 P

OEM PART NO

Product Explanation | Service Assembly



Pallet Quantity : 45

Product Weight : 1,80 Kg.

CODE
A4.4023.S

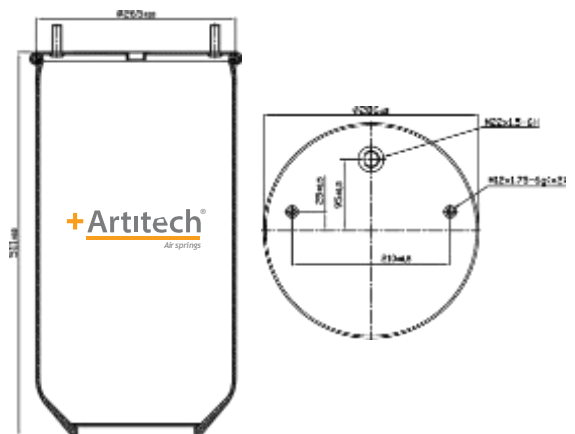
CROSS REFERENCES

CONTITECH	4023 N P06
FIRESTONE	1T19L-11
PHOENIX	1D28 B-10
FIRESTONE	W01 M58 6335

OEM PART NO

SAF	.229.031.00
SAF	2923 V
SERVICE ASSEMBLY	

Product Explanation | Service Assembly



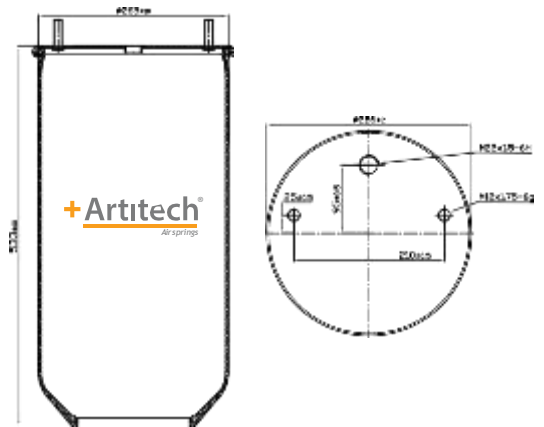
Pallet Quantity : 45

Product Weight : 1,80 Kg.

CODE
A4.4028.S

CROSS REFERENCES	CONTITECH 4028 N

OEM PART NO	SCHMITZ 015 323
	WEWELER US 04028



Product Explanation | Service Assembly

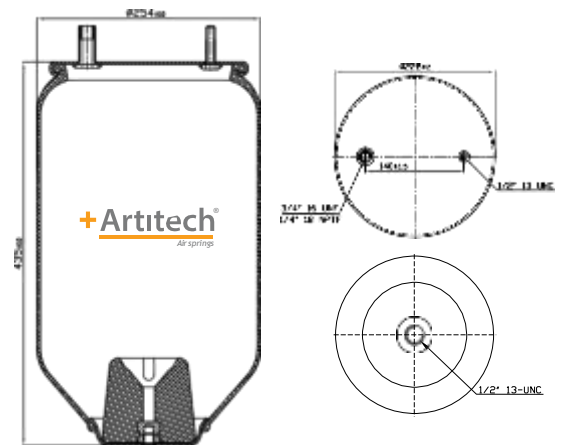
Pallet Quantity : 45

Product Weight : 1,80 Kg.

CODE
A4.4156.S01

CROSS REFERENCES	CONTITECH 4156 N P01

OEM PART NO	



Product Explanation | Service Assembly

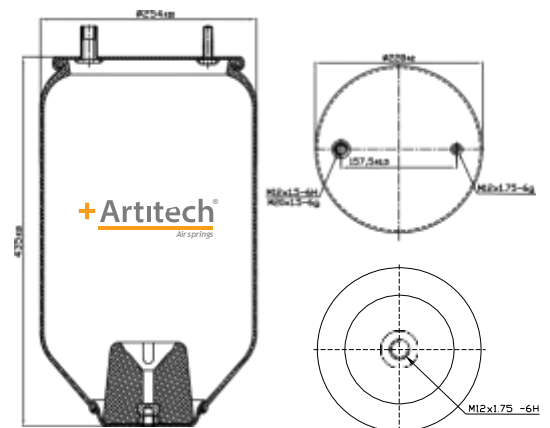
Pallet Quantity : 45

Product Weight : 1,40 Kg.

CODE
A4.4156.S05

CROSS REFERENCES	CONTITECH 4156 N P05

OEM PART NO	



Product Explanation | Service Assembly

Pallet Quantity : 45

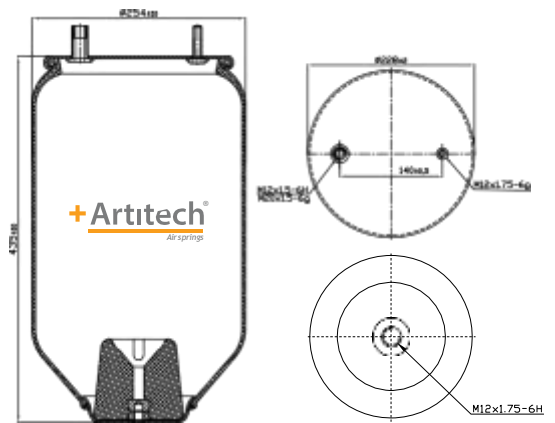
Product Weight : 1,25 Kg.

CODE
A4.4156.S06

CROSS REFERENCES

OEM PART NO

Product Explanation | Service Assembly



Pallet Quantity : 45

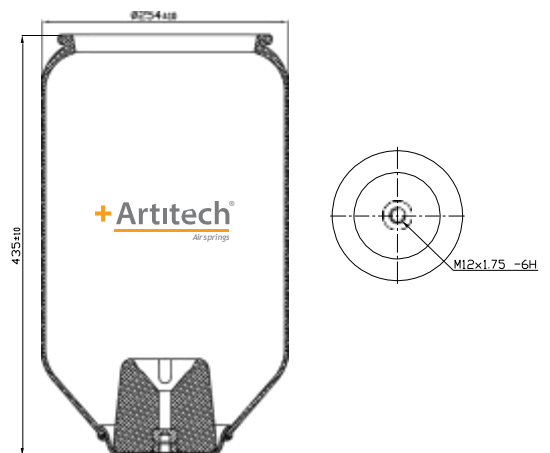
Product Weight : 1,40 Kg.

CODE
A4.4156.S12

CROSS REFERENCES

OEM PART NO

Product Explanation | Service Assembly



Pallet Quantity : 45

Product Weight :1,80 Kg.

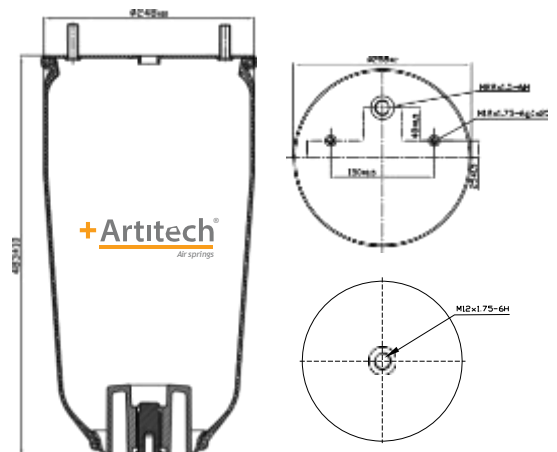
CODE
A4.4157.S

CROSS REFERENCES

CONTITECH 4157 N P03
(WITHOUT PISTON)
GOODYEAR 1R11-881
GOODYEAR 566-22-3-521

OEM PART NO

Product Explanation | Service Assembly



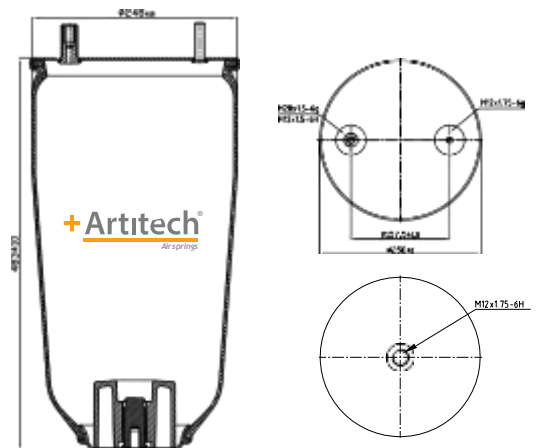
Pallet Quantity : 45

Product Weight :1,80 Kg.

CODE
A4.4157.S01

CROSS REFERENCES

OEM PART NO



Product Explanation | Service Assembly

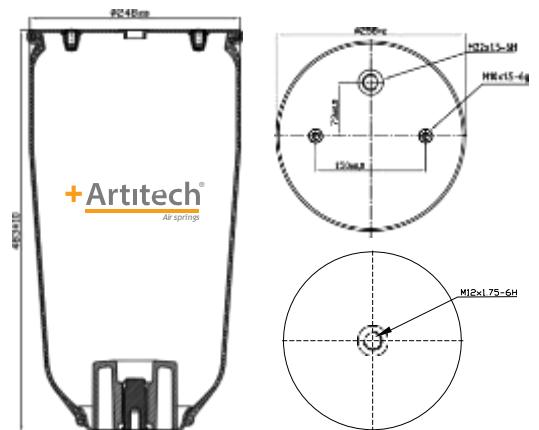
Pallet Quantity : 45

Product Weight : 1,80 Kg.

CODE
A4.4157.S06

CROSS REFERENCES

OEM PART NO



Product Explanation | Service Assembly

Pallet Quantity : 45

Product Weight :1,40 Kg.

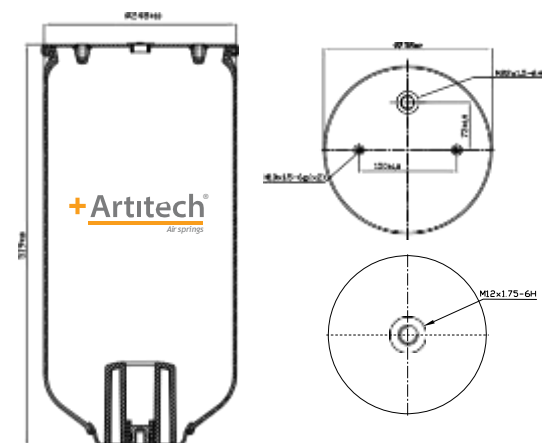
CODE
A4.4158.S02

CROSS REFERENCES

OEM PART NO

CONTITECH	4158 N P02
DUNLOP	D12B23
FIRESTONE	1T15MPW-9
GOODYEAR	1R12-748
PHOENIX	1DK 20 B-1 NP
FIRESTONE	W01 M58 6257

WEWELER	US 06285
SCHMITZ	750 999



Product Explanation | Service Assembly

Pallet Quantity : 45

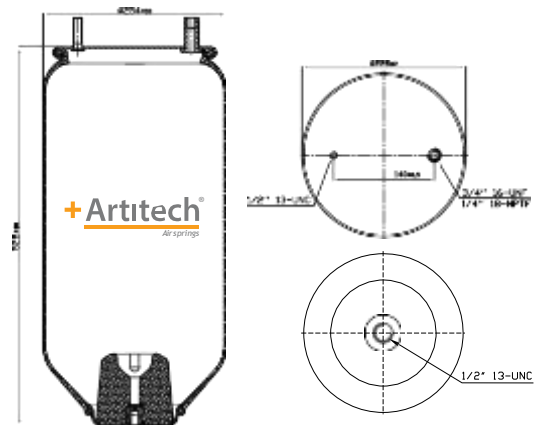
Product Weight :1,25 Kg.

CODE
A4.4159.S01

CROSS REFERENCES

CONTITECH 4159 N P01
CF GOMMA 1T 323-40
GOODYEAR 1R12-113

OEM PART NO



Product Explanation | Service Assembly

Pallet Quantity : 45

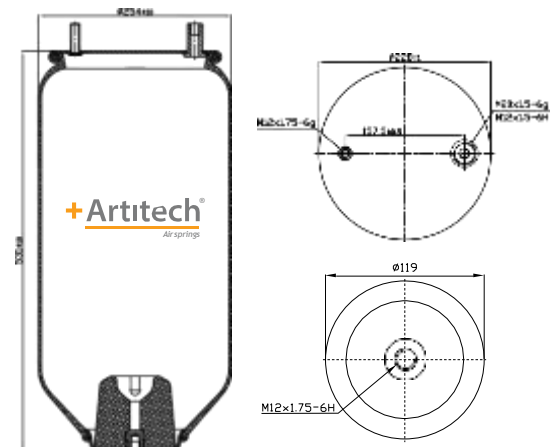
Product Weight : 1,40 Kg.

CODE
A4.4159.S05

CROSS REFERENCES

CONTITECH 4159 N P05
CF GOMMA 1T 323-40
FIRESTONE 1T15M-9
FIRESTONE W01 M58 0736
DUNLOP D12U04
GOODYEAR 1R12-761
PHOENIX 1DK21 B-5 NP

OEM PART NO



Product Explanation | Service Assembly

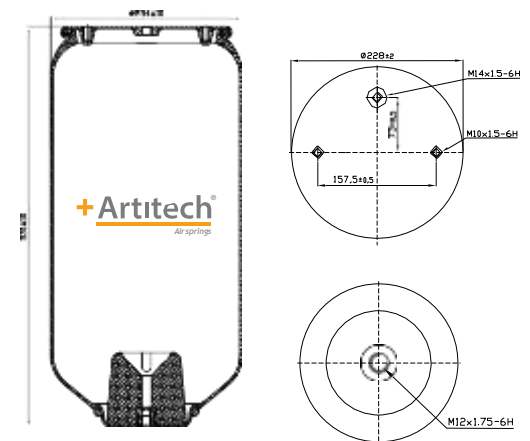
Pallet Quantity : 45

Product Weight : 1,80 Kg.

CODE
A4.4159.S10

CROSS REFERENCES

OEM PART NO



Product Explanation | Service Assembly

Pallet Quantity : 45

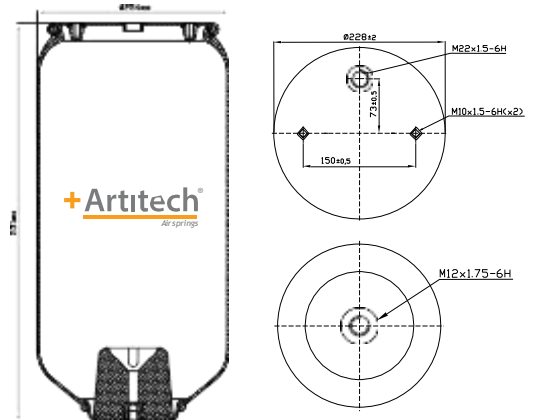
Product Weight : 1,80 Kg.

CODE
A4.4159.S11

CROSS REFERENCES

OEM PART NO

Product Explanation | Service Assembly



Pallet Quantity : 45

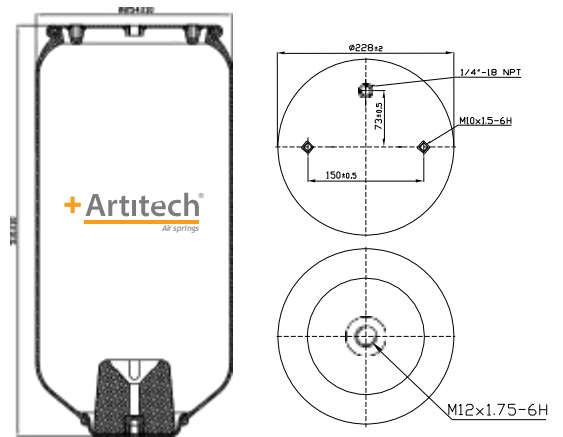
Product Weight : 1,80 Kg.

CODE
A4.4159.S12

CROSS REFERENCES

OEM PART NO

Product Explanation | Service Assembly



Pallet Quantity : 45

Product Weight :1,40 Kg.

CODE
A4.4183.S01

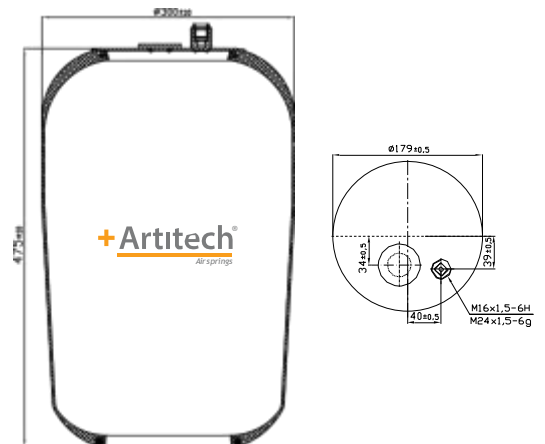
CROSS REFERENCES

CONTITECH 4183 N2

OEM PART NO

MERCEDES

Product Explanation | Service Assembly



Pallet Quantity : 45

Product Weight :1,25 Kg.

CODE
A4.4185.S01

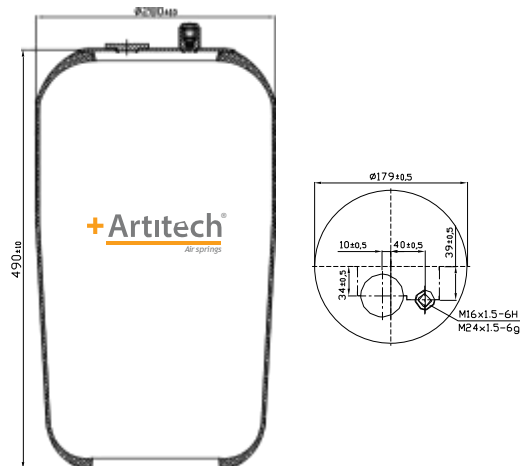
CROSS REFERENCES

CONTITECH 4185 N

OEM PART NO

MERCEDES A 974 328 0201

Product Explanation | Service Assembly



Pallet Quantity : 45

Product Weight : 1,40 Kg.

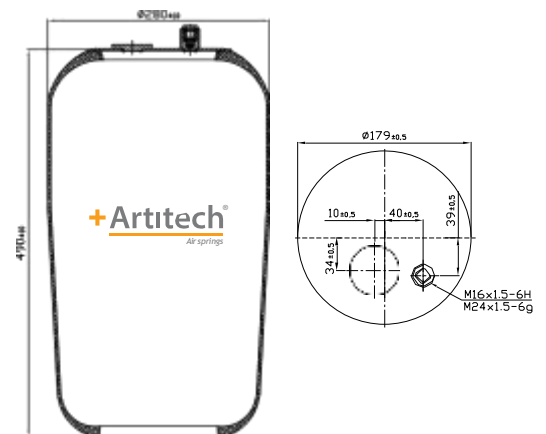
CODE
A4.4185.S02

CROSS REFERENCES

CONTITECH 4185 N

OEM PART NO

Product Explanation | Service Assembly



Pallet Quantity : 45

Product Weight : 1,80 Kg.

CODE
A4.4187.S01

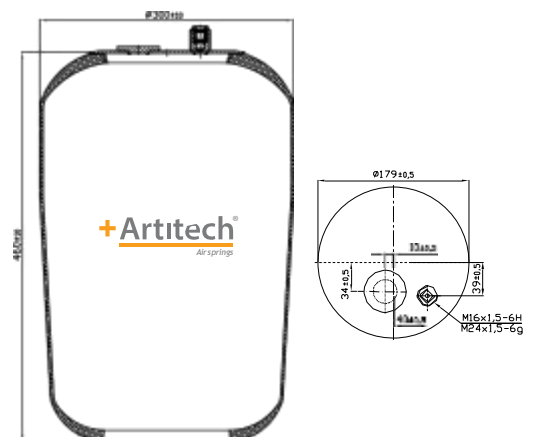
CROSS REFERENCES

CONTITECH 4187 N1
CONTITECH 4187 N3

OEM PART NO

MERCEDES A 942 320 27 21
MERCEDES A 942 320 73 21
MERCEDES A 942 320 19 21
MERCEDES A 942 320 0757

Product Explanation | Service Assembly



Pallet Quantity : 45

Product Weight : 1,80 Kg.

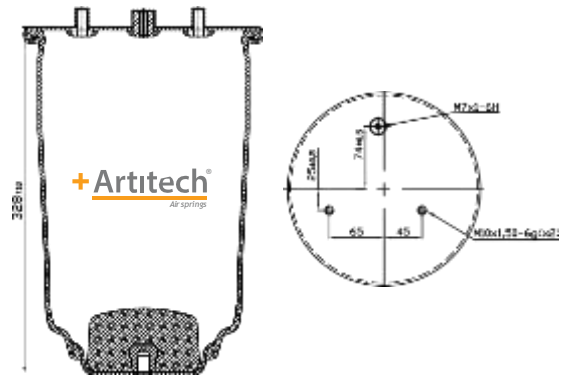
CODE
A4.4266.S01

CROSS REFERENCES

THERE ARE NO CROSS NUMBERS FOR THIS APPL.

OEM PART NO

IVECO 500042606



Product Explanation | Service Assembly

Pallet Quantity : 45

Product Weight :1,40 Kg.

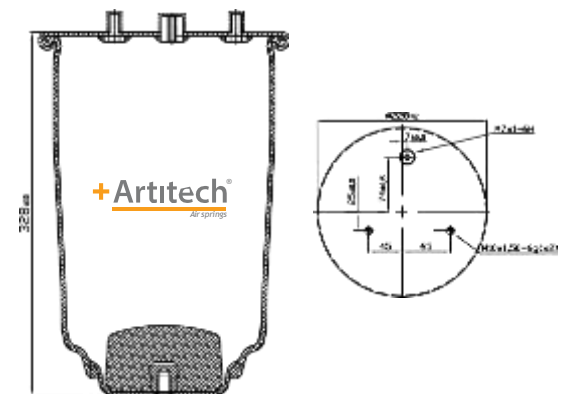
CODE
A4.4266.S02

CROSS REFERENCES

THERE ARE NO CROSS NUMBERS FOR THIS APPL.

OEM PART NO

IVECO 500042666



Product Explanation | Service Assembly

Pallet Quantity : 45

Product Weight :1,25 Kg.

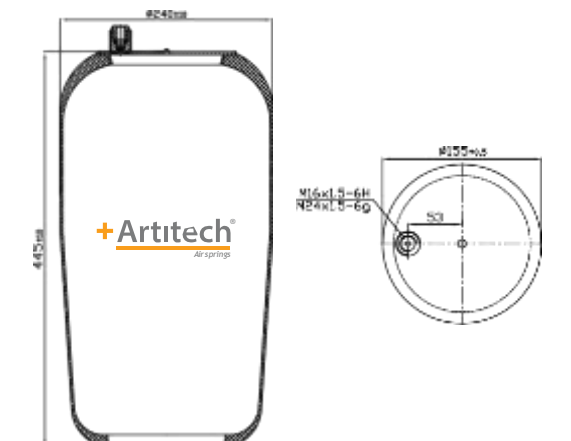
CODE
A4.4390.S01

CROSS REFERENCES

CONTITECH 4390 N1
CF GOMMA 1VSC 285-30 206782
DUNLOP D12U25
GOODYEAR 9507
PHOENIX 1KF 21-1 NP"

OEM PART NO

MERCEDES A 942 328 0001



Product Explanation | Service Assembly

Pallet Quantity : 45

Product Weight : 1,40 Kg.

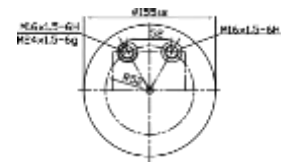
CODE
A4.4390.S02

CROSS REFERENCES

CONTITECH	4390 N2
CF GOMMA	1VSC 285-30 206784
DUNLOP	D12U26
GOODYEAR	9508
PHOENIX	1KF 21-2 NP

OEM PART NO

MERCEDES A 942 328 0101



Product Explanation | Service Assembly

Pallet Quantity : 45

Product Weight :1,80 Kg.

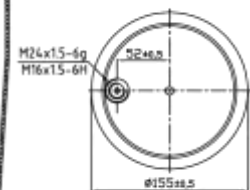
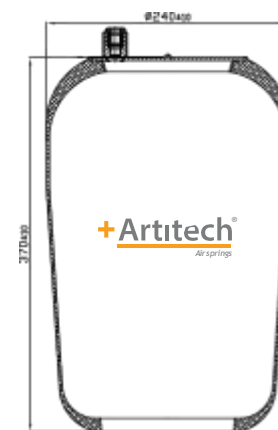
CODE
A4.4391.S01

CROSS REFERENCES

CONTITECH	4391 N1
-----------	---------

OEM PART NO

MERCEDES A 942 328 0601



Product Explanation | Service Assembly

Pallet Quantity : 45

Product Weight :1,80 Kg.

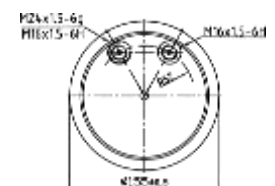
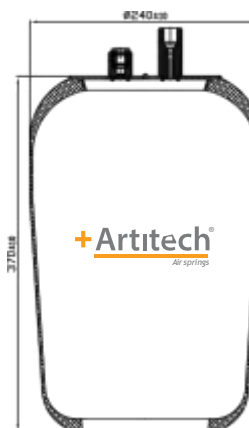
CODE
A4.4391.S02

CROSS REFERENCES

CONTITECH	4391 N2
-----------	---------

OEM PART NO

MERCEDES A 942 328 0701



Product Explanation | Service Assembly

Pallet Quantity : 45

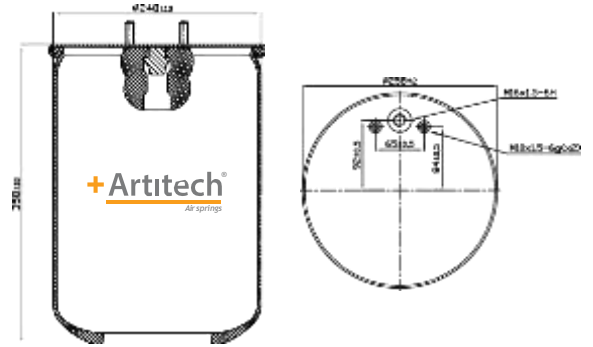
Product Weight : 1,80 Kg.

CODE
A4.4420.S

CROSS REFERENCES	CONTITECH 4420 N

OEM PART NO	VOLVO 1 076 076

Product Explanation | Service Assembly



Pallet Quantity : 45

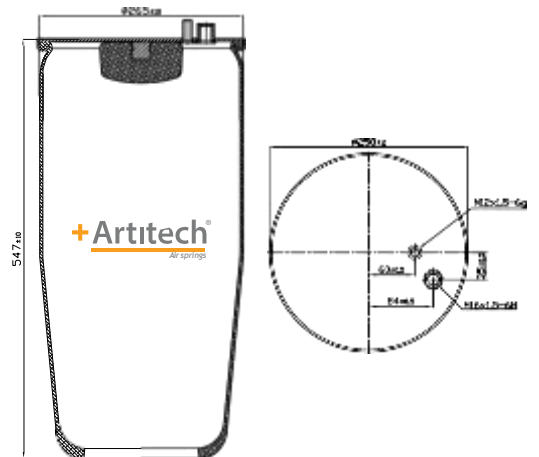
Product Weight :1,40 Kg.

CODE
A4.4705.S01

CROSS REFERENCES	CONTITECH 4705 N1 P01

OEM PART NO	MAN 81 43601 0155

Product Explanation | Service Assembly



Pallet Quantity : 45

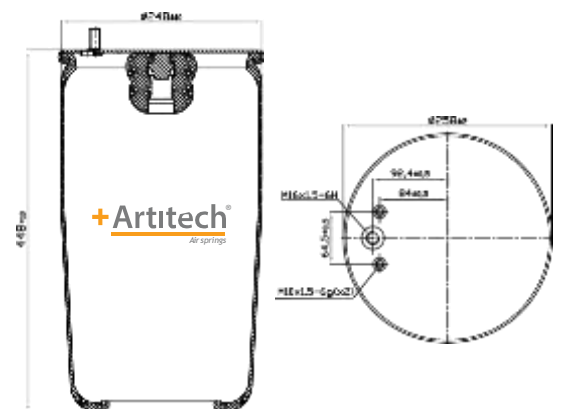
Product Weight :1,25 Kg.

CODE
A4.4713.S

CROSS REFERENCES	CONTITECH 4713 N P04
	GOODYEAR 1R12-763

OEM PART NO	VOLVO 1 076 595

Product Explanation | Service Assembly



Pallet Quantity : 45

Product Weight : 1,40 Kg.

CODE
A4.4718.S

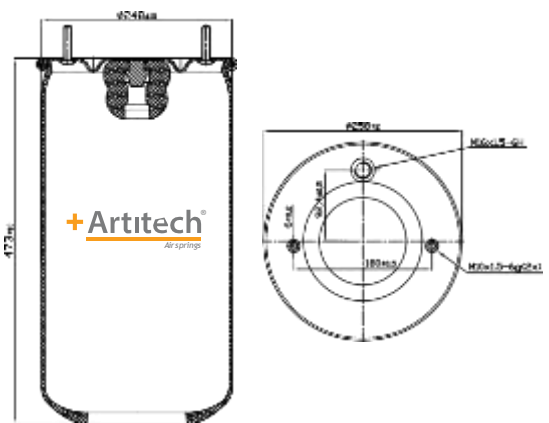
CROSS REFERENCES

CONTITECH 4718 N P02

OEM PART NO

VOLVO 1 079 718

Product Explanation | Service Assembly



Pallet Quantity : 45

Product Weight :1,80 Kg.

CODE
A4.4725.S

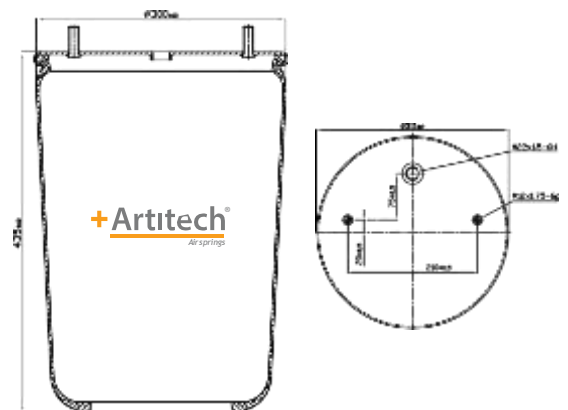
CROSS REFERENCES

CONTITECH 4725 N P01

OEM PART NO

GIGANT 247103

Product Explanation | Service Assembly



Pallet Quantity : 45

Product Weight :1,80 Kg.

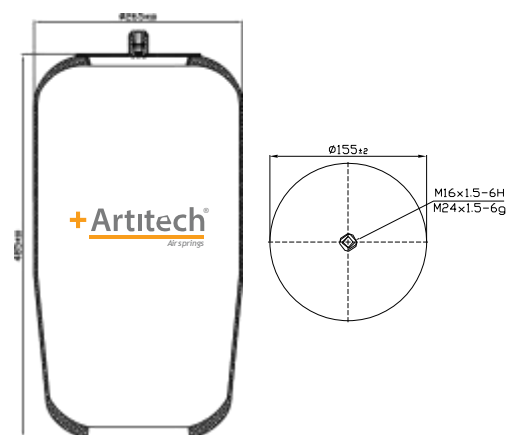
CODE
A4.4737.S01

CROSS REFERENCES

CONTITECH 4737 N

OEM PART NO

Product Explanation | Service Assembly



Pallet Quantity : 45

Product Weight : 1,80 Kg.

CODE
A4.4757.S01

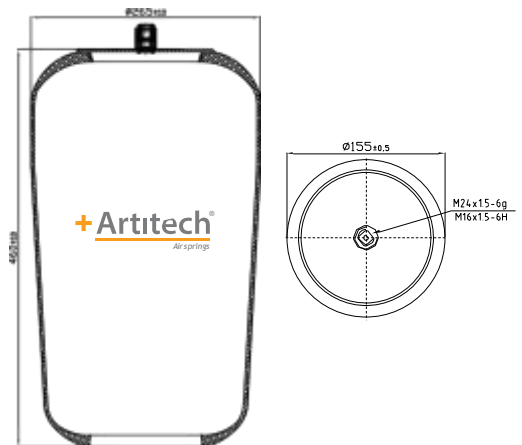
CROSS REFERENCES

CONTITECH 4757 N1

OEM PART NO

MERCEDES A 942 327 0001

Product Explanation | Service Assembly



Pallet Quantity : 45

Product Weight :1,40 Kg.

CODE
A4.4757.S02

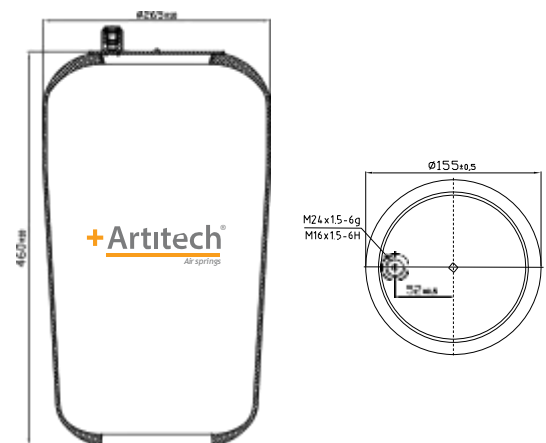
CROSS REFERENCES

CONTITECH 4757 N2

OEM PART NO

MERCEDES A 974 328 0001
MERCEDES A 974 328 0101

Product Explanation | Service Assembly



Pallet Quantity : 45

Product Weight :1,25 Kg.

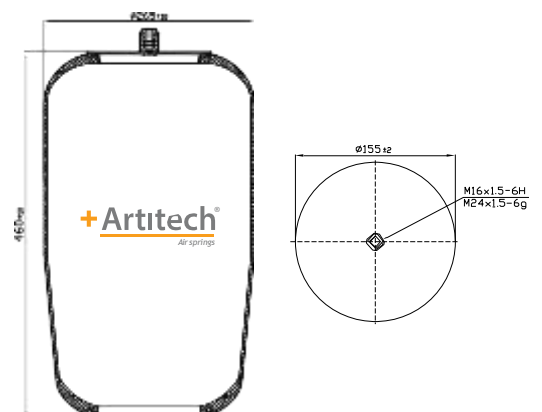
CODE
A4.4758.S01

CROSS REFERENCES

CONTITECH 4758 N

OEM PART NO

Product Explanation | Service Assembly



Pallet Quantity : 45

Product Weight : 1,40 Kg.

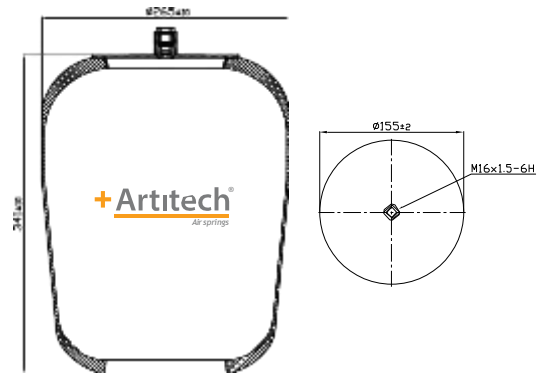
CODE
A4.4759.S01

CROSS REFERENCES

CONTITECH 4759 N

OEM PART NO

MERCEDES A 942 327 0401



Product Explanation | Service Assembly

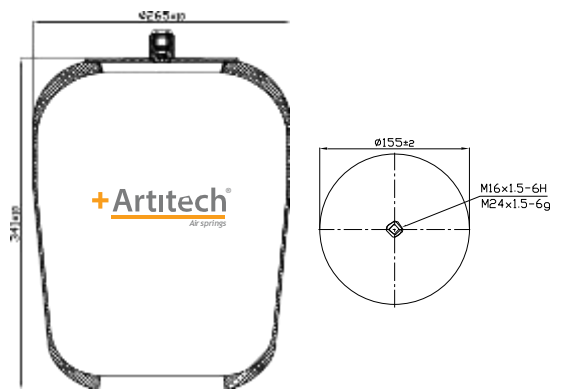
Pallet Quantity : 45

Product Weight : 1,80 Kg.

CODE
A4.4759.S02

CROSS REFERENCES

OEM PART NO



Product Explanation | Service Assembly

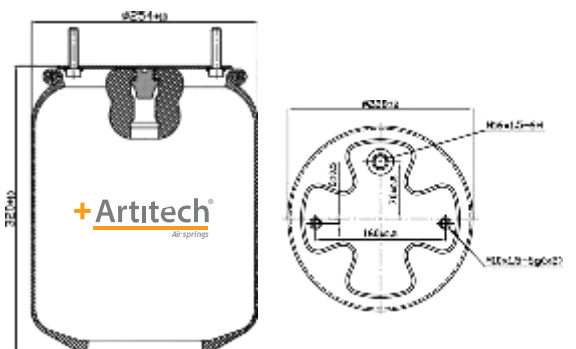
Pallet Quantity : 45

Product Weight : 1,80 Kg.

CODE
A4.4762.S

CROSS REFERENCES

OEM PART NO



Product Explanation | Service Assembly

Pallet Quantity : 45

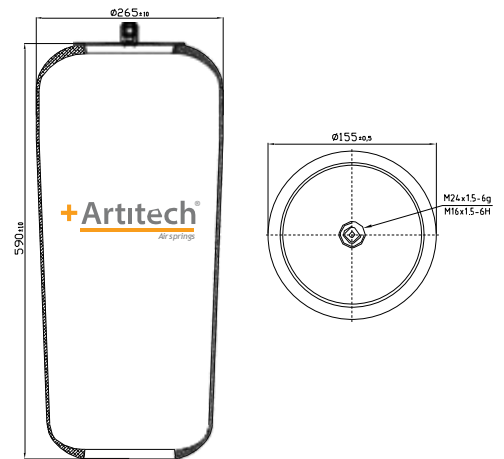
Product Weight : 1,80 Kg.

CODE
A4.4838.S01

CROSS REFERENCES

OEM PART NO

Product Explanation | Service Assembly



Pallet Quantity : 45

Product Weight :1,80 Kg.

CODE
A4.4881.S02

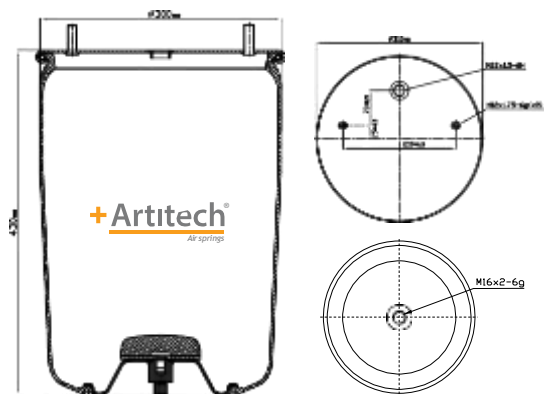
CROSS REFERENCES

OEM PART NO

CONTITECH 4881 N P02
DUNLOP D14U37
FIRESTONE 1T66F-7.0
GOODYEAR 1R14-701
PHOENIX 1DK 32 K
FIRESTONE W01 M58 8601

BPW 05 429 41 01 0
SCHMITZ 750 570

Product Explanation | Service Assembly



Pallet Quantity : 45

Product Weight :1,80 Kg.

CODE
A4.4882.S02

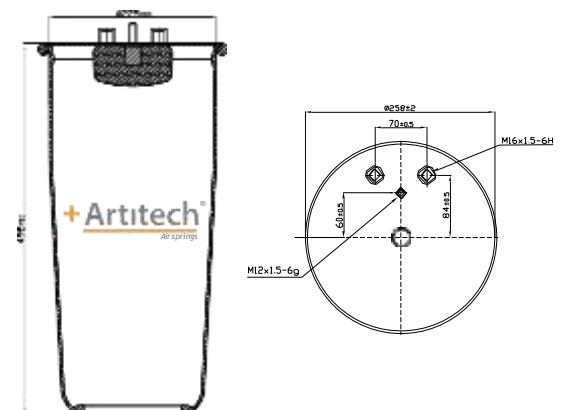
CROSS REFERENCES

OEM PART NO

CONTITECH 4882 N1 P01
GOODYEAR 1R10-701

MAN 81 43601 0151

Product Explanation | Service Assembly



Pallet Quantity : 45

Product Weight : 1,80 Kg.

CODE
A4.4883.S02

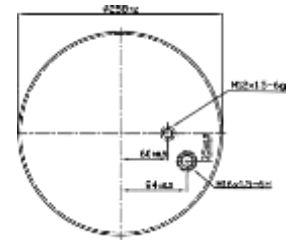
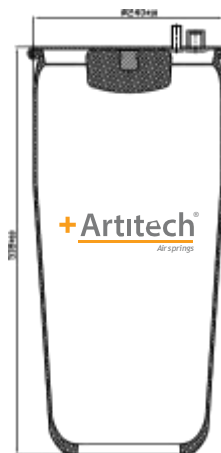
CROSS REFERENCES

CONTITECH 4883 N1 P01

OEM PART NO

MAN 81 43601 0153

Product Explanation | Service Assembly



Pallet Quantity : 45

Product Weight :1,40 Kg.

CODE
A4.4884.S01

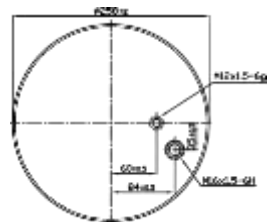
CROSS REFERENCES

CONTITECH 4884 N1 P01

OEM PART NO

MAN 81 43601 0152
MAN 81 43601 0174
MAN 81 43601 0175

Product Explanation | Service Assembly



Pallet Quantity : 45

Product Weight :1,25 Kg.

CODE
A4.4884.S02

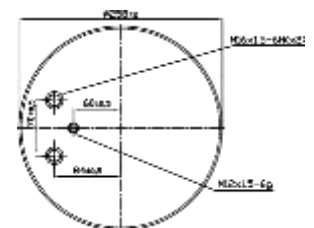
CROSS REFERENCES

CONTITECH 4884 N1 P02

OEM PART NO

MAN 81.43601.0173

Product Explanation | Service Assembly



Pallet Quantity : 45

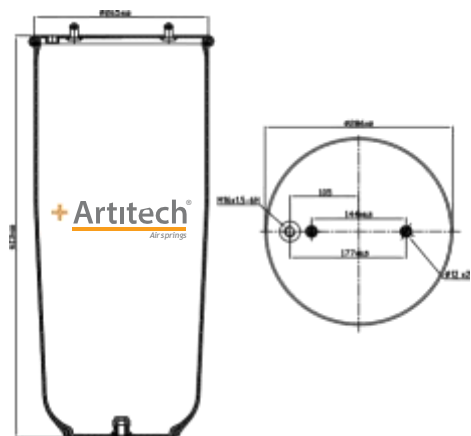
Product Weight : 1,40 Kg.

CODE
A4.4913.S04

CROSS REFERENCES	
CONTITECH	4913 N P04
DUNLOP	1D14U42
FIRESTONE	1T19L-14
GOODYEAR	1R14-755
PHOENIX	1D 28 H-16 NP
FIRESTONE	W01 095 0365

OEM PART NO	
SCANIA	1379393

Product Explanation | Service Assembly



Pallet Quantity : 45

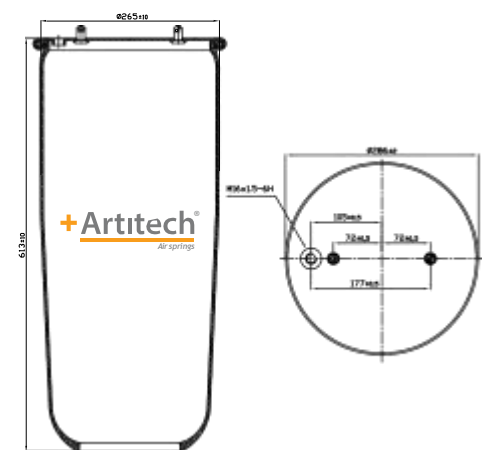
Product Weight :1,40 Kg.

CODE
A4.4913.S10

CROSS REFERENCES	
------------------	--

OEM PART NO	
-------------	--

Product Explanation | Service Assembly



Pallet Quantity : 45

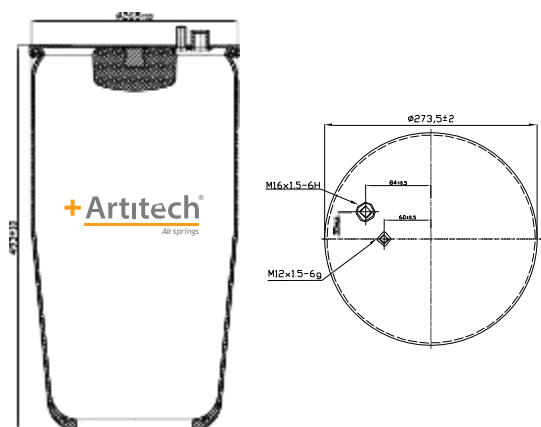
Product Weight :1,25 Kg.

CODE
A4.4916.S01

CROSS REFERENCES	
CONTITECH	4916 N1 P01

OEM PART NO	
MAN	81.43601.0158

Product Explanation | Service Assembly



Pallet Quantity : 45

Product Weight : 1,40 Kg.

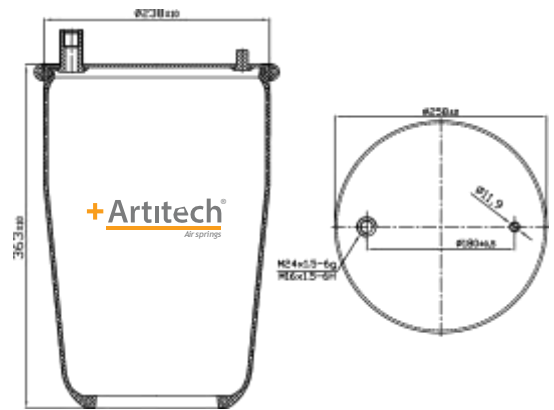
CODE
A4.4929.S

CROSS REFERENCES

CONTITECH 4929 N P01 RT
AIRTECH 34929 P

OEM PART NO

NEWAY 90557009



Product Explanation | Service Assembly

Pallet Quantity : 45

Product Weight : 1,80 Kg.

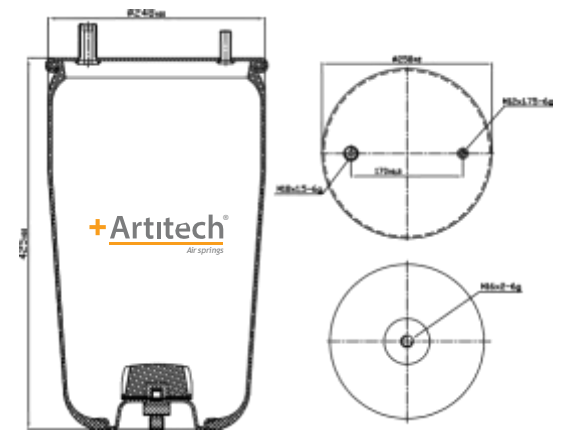
CODE
A4.4940.S02

CROSS REFERENCES

CONTITECH 4940 N P02

OEM PART NO

BPW 05 429 41 56 0
BPW TYPE 30 K



Product Explanation | Service Assembly

Pallet Quantity : 45

Product Weight : 1,80 Kg.

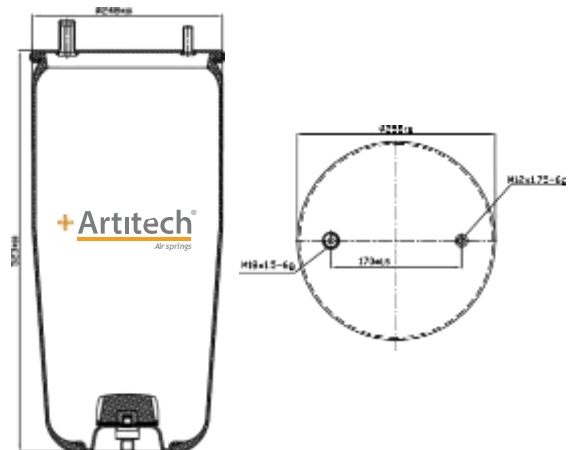
CODE
A4.4941.S02

CROSS REFERENCES

CONTITECH 4941 N P02

OEM PART NO

BPW 05 429 41 25 0



Product Explanation | Service Assembly

Pallet Quantity : 45

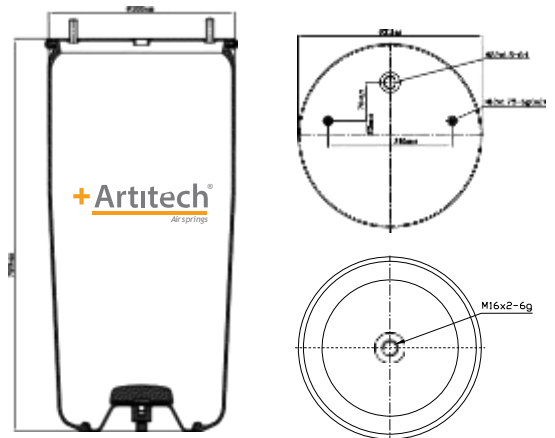
Product Weight : 1,80 Kg.

CODE
A4.4942.S02

CROSS REFERENCES	CONTITECH	4942 N P02

OEM PART NO	BPW	05 429 41 09 0

Product Explanation | Service Assembly



Pallet Quantity : 45

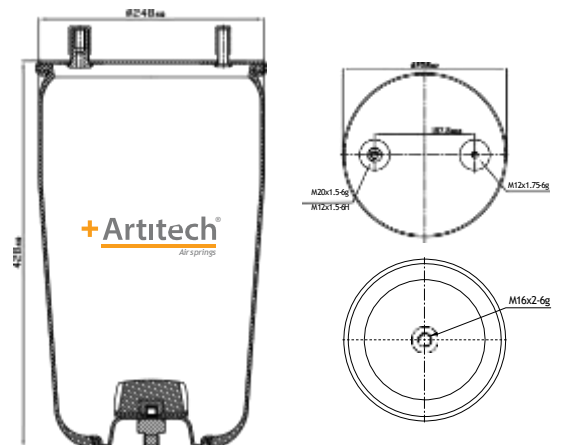
Product Weight :1,40 Kg.

CODE
A4.4960.S02

CROSS REFERENCES	CONTITECH	4960 N P02

OEM PART NO	BPW	05 429 41 77 0

Product Explanation | Service Assembly



Pallet Quantity : 45

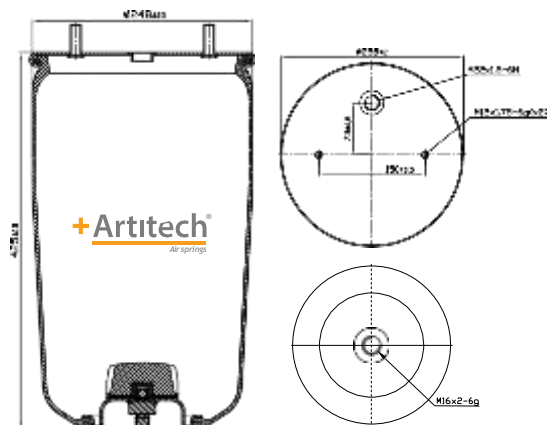
Product Weight :1,25 Kg.

CODE
A4.4961.S02

CROSS REFERENCES	CONTITECH	4961 N P02

OEM PART NO	BPW	05 429 42 04 0

Product Explanation | Service Assembly



Pallet Quantity : 45

Product Weight : 1,40 Kg.

CODE
A4.4962.S02

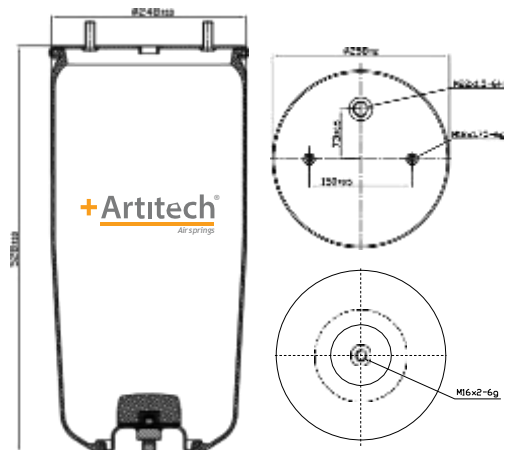
CROSS REFERENCES

CONTITECH 4962 N P02

OEM PART NO

BPW 5 429 42 03 0

Product Explanation | Service Assembly



Pallet Quantity : 45

Product Weight :1,80 Kg.

CODE
A4.4963.S01

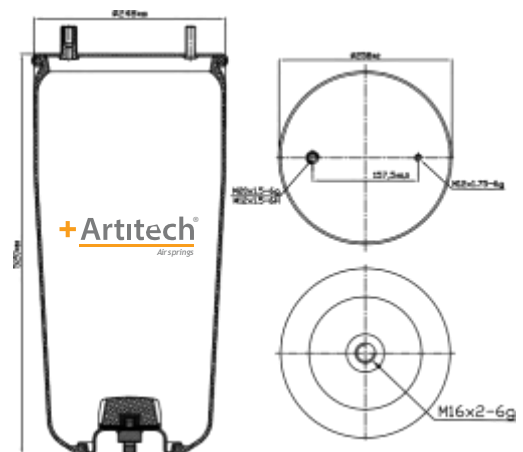
CROSS REFERENCES

CONTITECH 4963 N P01

OEM PART NO

BPW 05 429 42 54 0

Product Explanation | Service Assembly



Pallet Quantity : 45

Product Weight :1,80 Kg.

CODE
A4.6050.S

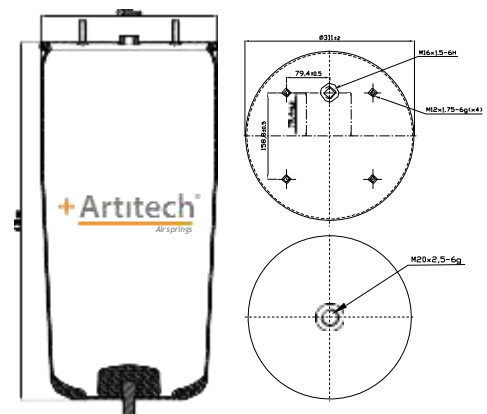
CROSS REFERENCES

CF GOMMA 1TC 360-50
PHOENIX 1DK 32 E-4
GOODYEAR 1R14-809

OEM PART NO

KASSBOHRER 4 731 043 000
KASSBOHRER 4 731 043 100 13

Product Explanation | Service Assembly



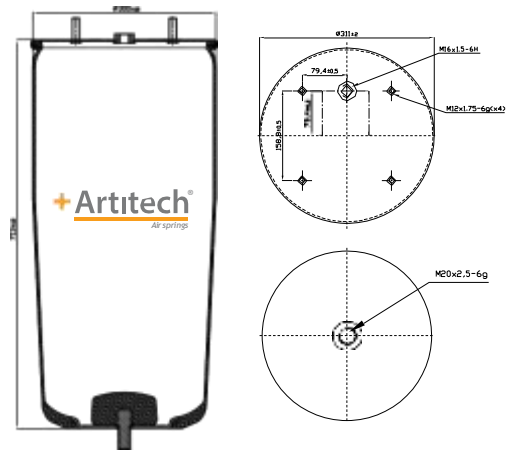
Pallet Quantity : 45

Product Weight : 1,80 Kg.

CODE
A4.6055.S

CROSS REFERENCES	CF GOMMA	ITC 360-55

OEM PART NO	KASSBOHRER	4 731 044 100



Product Explanation | Service Assembly

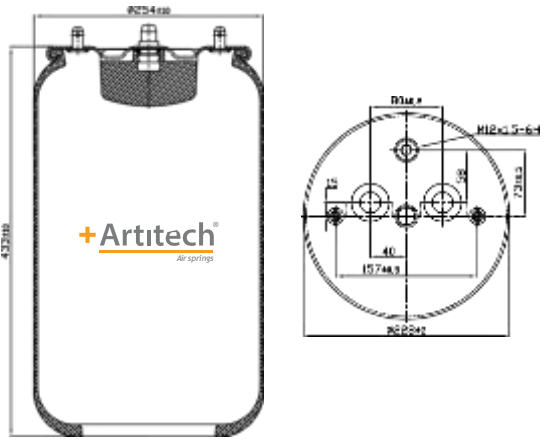
Pallet Quantity : 45

Product Weight :1,40 Kg.

CODE
A4.6199.S

CROSS REFERENCES	PHOENIX	1 DF 23 C-1
	AIRTECH	36199 P

OEM PART NO	SCANIA	1386199



Product Explanation | Service Assembly

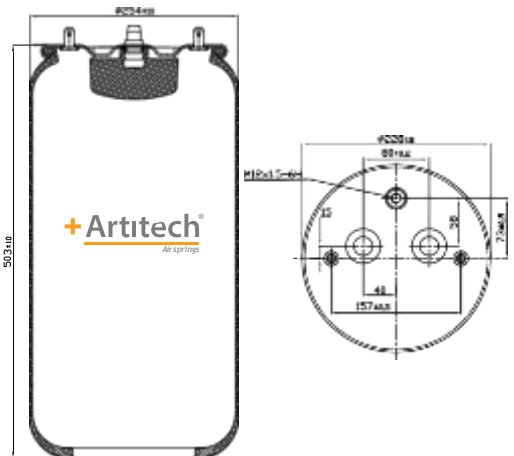
Pallet Quantity : 45

Product Weight :1,25 Kg.

CODE
A4.6200.S

CROSS REFERENCES	PHOENIX	1 DF 23 D-1
	AIRTECH	36200 P

OEM PART NO	SCANIA	1386200



Product Explanation | Service Assembly

Pallet Quantity : 45

Product Weight : 1,40 Kg.

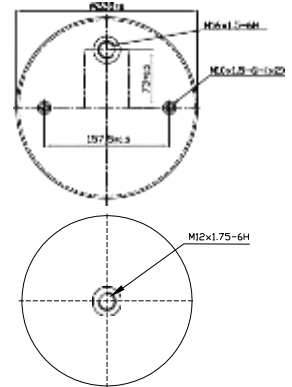
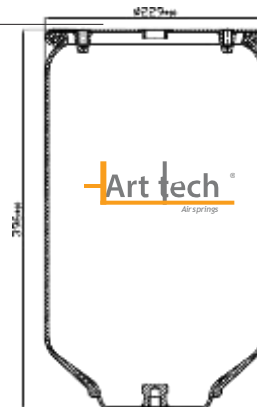
CODE
A4.6251.S

CROSS REFERENCES

FIRESTONE W01-M58-6251
(WITHOUT PISTON)
GOODYEAR 1R11-826
AIRTECH 36251

OEM PART NO

SCANIA 1402423
SCANIA 1314903
GRANNING 15619
WABCO 951 811 008 0



Product Explanation | Service Assembly

Pallet Quantity : 45

Product Weight :1,80 Kg.

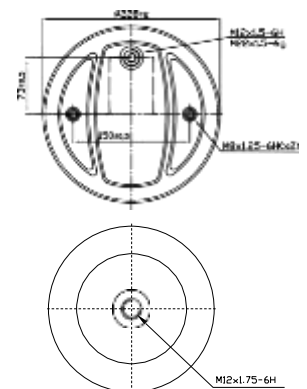
CODE
A4.6318.S

CROSS REFERENCES

FIRESTONE 1T15MPW-9
FIRESTONE W01-M58-6318
AIRTECH 36318 P

OEM PART NO

SCHMITZ 016 512
WEWELER US 06318F



Product Explanation | Service Assembly

Pallet Quantity : 45

Product Weight :1,80 Kg.

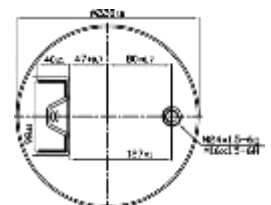
CODE
A4.7803.S

CROSS REFERENCES

CONTITECH 7803 N

OEM PART NO

VOLVO 20 427 803



Product Explanation | Service Assembly

Pallet Quantity : 45

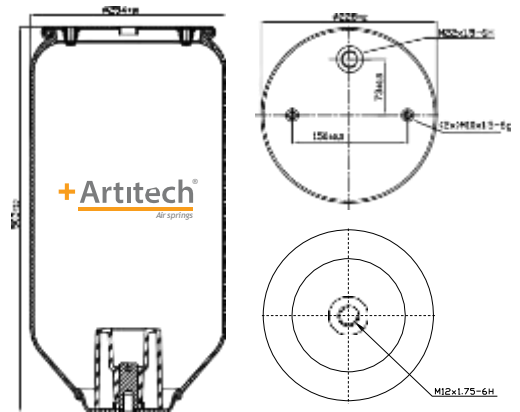
Product Weight : 1,80 Kg.

CODE
A4.8185.S

CROSS REFERENCES

FIRESTONE 1T15MPW-9
FIRESTONE W01 M58 6257

OEM PART NO



Product Explanation | Service Assembly

Pallet Quantity : 45

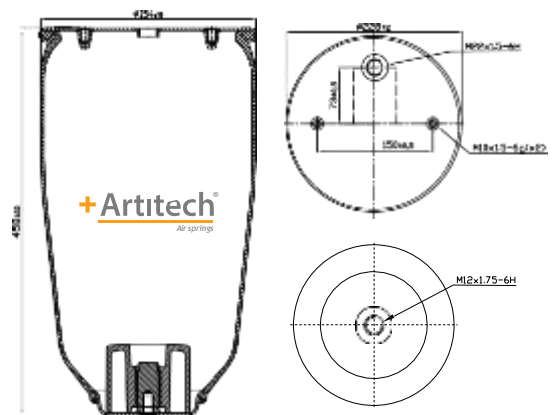
Product Weight :1,40 Kg.

CODE
A4.8186.S

CROSS REFERENCES

FIRESTONE 1T15MPW-7
FIRESTONE W01 M58 8194

OEM PART NO



Product Explanation | Service Assembly

Pallet Quantity : 45

Product Weight :1,25 Kg.

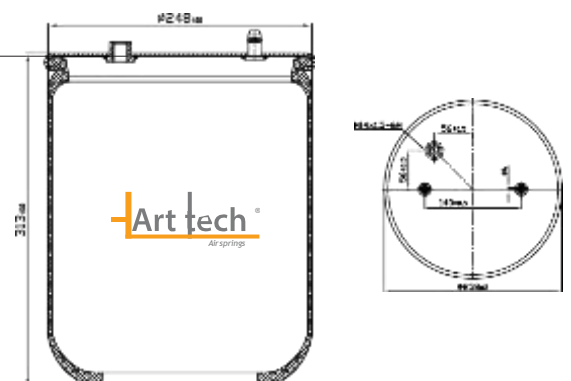
CODE
A4.40301.S

CROSS REFERENCES

PHOENIX 1 DF 23 B-1
FIRESTONE 1T15VR-3
FIRESTONE W01-S15-8192
GOODYEAR 1R13-746
AIRTECH 330301

O E M P A R T N O

SCANIA 1440301
SCANIA 488265
SCANIA 470920



Product Explanation | Service Assembly

Pallet Quantity : 45

Product Weight : 1,40 Kg.

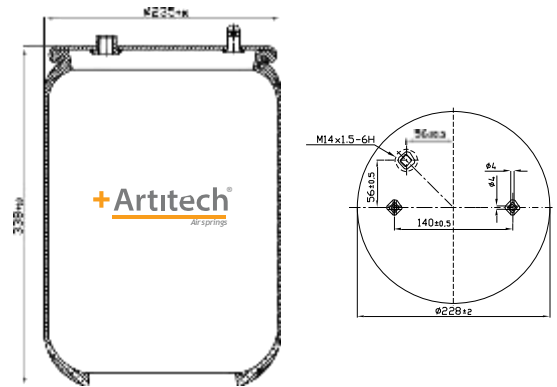
CODE
A4.40303.S

CROSS REFERENCES

AIRTECH 331114 P

OEM PART NO

SCANIA 488263
SCANIA 1440303
SCANIA 1475106
SCANIA 1521114



Product Explanation | Service Assembly

Pallet Quantity : 45

Product Weight : 1,80 Kg.

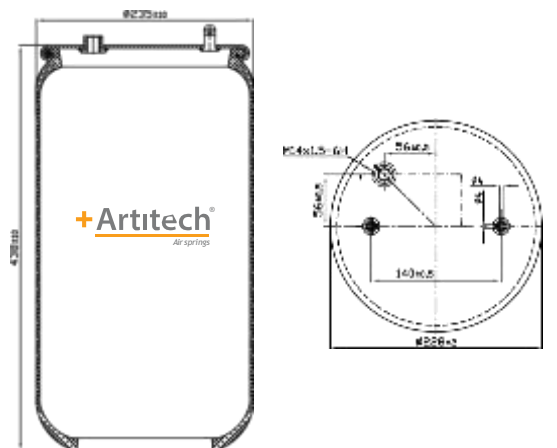
CODE
A4.40304.S

CROSS REFERENCES

PHOENIX 1 DF 20 A-1
FIRESTONE 1T15LR-4
FIRESTONE W01-095-0424
GOODYEAR 1R11-829
AIRTECH 3303014 P

OEM PART NO

MERCEDES 1440304
MERCEDES 470922
ROR MLF7142



Product Explanation | Service Assembly

Pallet Quantity : 45

Product Weight : 1,80 Kg.

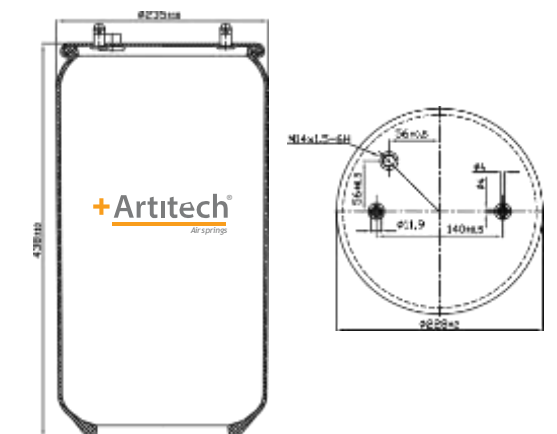
CODE
A4.40305.S

CROSS REFERENCES

CONTITECH 1 DF 20 A-2
FIRESTONE 1T15LR-4
FIRESTONE W01-095-0481
GOODYEAR 1R11-830
GOODYEAR 566-22-3-545
VIBRACOUSTIC V 1 DF 20 C-2
AIRTECH 330305 P

OEM PART NO

SCANIA 1440305
SCANIA 792680
SCANIA 1440859
ROR MLF7143



Product Explanation | Service Assembly

Pallet Quantity : 45

Product Weight : 1,80 Kg.

04

BELLOWS

Air Springs



CODE
A4.644.R

CROSS REFERENCES

CONTITECH	644 N
FIRESTONE	1R1A 390295
FIRESTONE	W01 095 0118
GOODYEAR	8017
PHOENIX	1E 21

OEM PART NO

BREDA MENARINI	199 196
DAEWOO	967 08659
DAF	0 689677
EVOBUS	A 000 327 0101
EVOBUS	A 000 327 0201
EVOBUS	A 307 328 0001
KASSBOHRER	4 771 143 000
KASSBOHRER	4 771 170 000
MAN	81 43601 0017
MERCEDES (BRAZIL)	A 364 327 7001
PREVOST	63-0187



Product Explanation | Bellows Air Springs

Pallet Quantity : 45

Product Weight : 1,40 Kg.

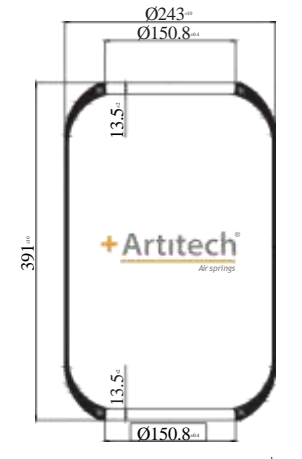
CODE
A4.661.R

CROSS REFERENCES

CONTITECH	661N
FIRESTONE	1R1C 390310
FIRESTONE	W01 095 0021
GOODYEAR	8018
PHOENIX	1E 25
TAURUS	B 114

OEM PART NO

IVECO	4182247
IVECO	4746733
KASSBOHRER	4 731 012 000
KASSBOHRER	4 731 031 000
KASSBOHRER	4 731 042 000
MERCEDES	A 410 327 00 01
NEOPLAN	1001 10 100
NEOPLAN	1001 12 250
NEOPLAN	1021 002 00
VOLVO	1 137 888



Product Explanation | Bellows Air Springs

Pallet Quantity : 45

Product Weight : 1,80 Kg.

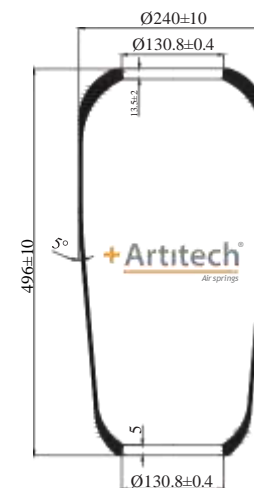
CODE
A4.713.R

CROSS REFERENCES

CONTITECH	713 N
GOODYEAR	9066
PHOENIX	1 F 21 D

OEM PART NO

VOLVO	1 622 116
VOLVO	6 797 169



Product Explanation | Bellows Air Springs

Pallet Quantity : 45

Product Weight : 1,80 Kg.

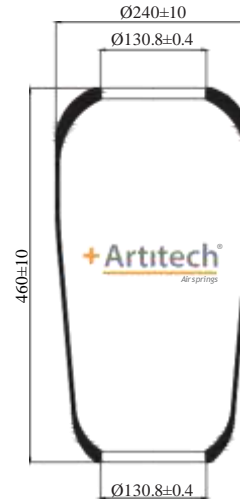
CODE
A4.720.R

CROSS REFERENCES

CF GOMMA	1SC 290-30 88802
CONTITECH	720 N
FIRESTONE	1R2A 460295
FIRESTONE	W01 095 0195
GOODYEAR	9008
PHOENIX	1F 21
TAURUS	B 152

OEM PART NO

BPW	02 200 24 10 0
DENNIS	686 1/2
MAN	81 43601 0033
MAN	81 43601 0036
MAN	81 43601 0037
MERCEDES	A 387 328 0101
NEOPLAN	1001 123 00
VOLVO	1 590 136
VOLVO	1 622 115
VOLVO	1 629 193



Product Explanation | Bellows Air Springs

Pallet Quantity : 45 | Product Weight : 1,80 Kg.

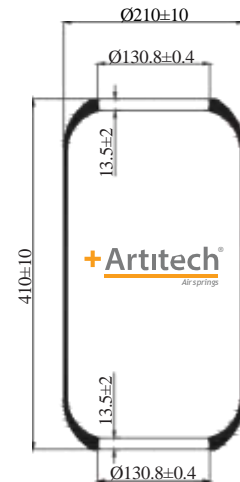
CODE
A4.782.R

CROSS REFERENCES

CF GOMMA	1S 285-25 97555
CONTITECH	782
DUNLOP FR	D11S02
FIRESTONE	1R1A 415285
FIRESTONE	W01 095 0197
GOODYEAR	9013
TAURUS	B 124

OEM PART NO

IRISBUS	5 000 324 098
IRISBUS	5 000 954 176
IVECO	4703904
IVECO	4703972
IVECO BUS	500 324 098
MERCEDES	A 382 327 7201
RENAULT RVI	5000 954 176



Product Explanation | Bellows Air Springs

Pallet Quantity : 45 | Product Weight : 1,40 Kg.

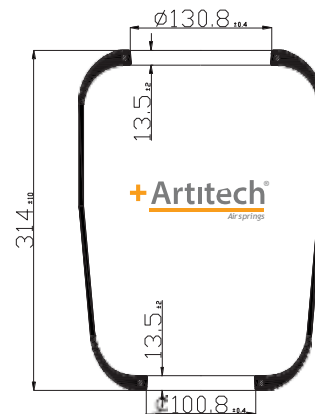
CODE
A4.817.R

CROSS REFERENCES

CF GOMMA	1SC260-30 97613
CONTITECH	817N
GART	C289/BS 289.0301

OEM PART NO

BREDA MENARINI	252933
IRISBUS	5.000.768.641
IRISBUS	5.000.805.998
IRISBUS	5.810.805.998
RENAULT RVI	5810.111.355



Product Explanation | Bellows Air Springs

Pallet Quantity : 45 | Product Weight : 1,25 Kg.

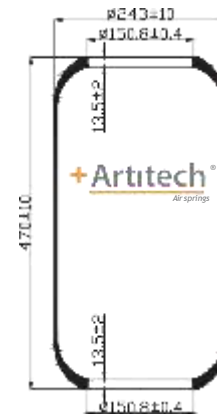
CODE
A4.876.R

CROSS REFERENCES

CONTITECH 876 N
GOODYEAR 8314

OEM PART NO

IVECO 41 022 620
41 022 620
IVECO 8139068
8139068
RENAULT RVI 5000 296 816
5000 296 816



Product Explanation | Bellows Air Springs

Pallet Quantity : 45

Product Weight : 2 Kg.

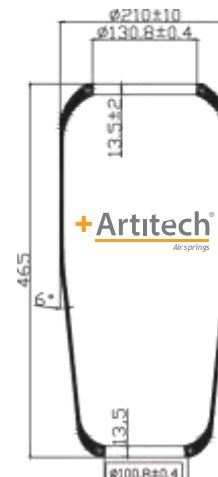
CODE
A4.882.R

CROSS REFERENCES

CONTITECH 882 N1
PHOENIX 1F 16
FIRESTONE 1R4R465-260
FIRESTONE W01-095-0435
GOODYEAR 9048
GOODYEAR 556-03-9048
VIBRACOUSTIC V1F16
CF GOMMA 1SC250-28
CF GOMMA 97042
GART C289/D
GART 289.0.400
BLACKTECH RL9993
AIRTECH "3882"

OEM PART NO

MAN 81.43601.0065
MAN 81.43601.0067
MAN 81.43601.0070
MAN 81.43601.0092
MAN 81.43601.0099
MAN 81.43601.0103
MAN 81.43601.0121
MAN 81.43601.0132



Product Explanation | Bellows Air Springs

Pallet Quantity : 45

Product Weight : 1,80 Kg.

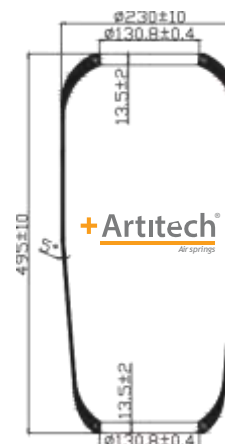
CODE
A4.883.R

CROSS REFERENCES

CF GOMMA 1SC 250-29 204250
CONTITECH 883 N1
FIRESTONE 1R4R 465 260
FIRESTONE W01 095 0435
GOODYEAR 9012
PHOENIX 1F21C-2

OEM PART NO

MAN 81 43601 0071
MAN 81 43601 0072
MAN 81 43601 0110
MAN 81 43601 0128
MAN 81 43601 0132
VOLVO 1 082 085
VOLVO 1 082 130



Product Explanation | Bellows Air Springs

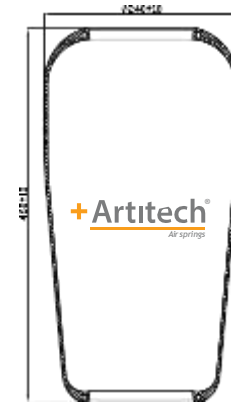
Pallet Quantity : 45

Product Weight : 2,50 Kg.

CODE
A4.916.R

CROSS REFERENCES	
CONTITECH	916 N1
DUNLOP FR	D12S05
FIRESTONE	2R2A 460 295
FIRESTONE	W01 095 0555
GOODYEAR	9015
PHOENIX	1F 21 C-5
TAURUS	B 154

OEM PART NO	
MAN	81 43601 0095
MAN	81 43601 0097
MAN	81 43601 0100
MAN	81 43601 0102
MAN	81 43601 0105
MAN	81 43601 0126
MAN	81 43601 0138
OPTARE	L 5820005
TEMSA	./.
ZF SACHS	0017 700 00160



Product Explanation | Bellows Air Springs

Pallet Quantity : 45 Product Weight :2 Kg.

CODE
A4.1888.R

CROSS REFERENCES	
CONTITECH	1888

OEM PART NO	
MAN	81 43601 0163
SACHS	00 1748 451 100



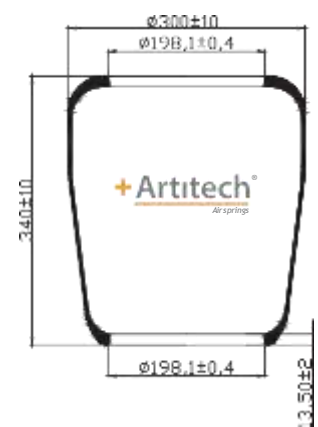
Product Explanation | Bellows Air Springs

Pallet Quantity : 45 Product Weight : 2 Kg.

CODE
A4.9208.R

CROSS REFERENCES	

OEM PART NO	



Product Explanation | Bellows Air Springs

Pallet Quantity : 33 Product Weight : 2,3 Kg.

05

ALUMINUM COMPLETE

Air Springs



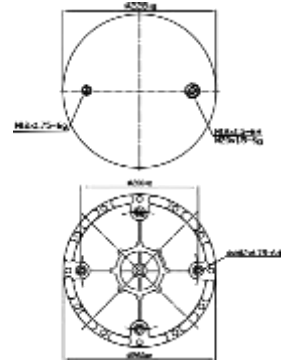
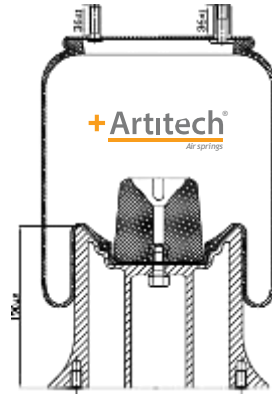
CODE
A4.4159.CAL06

CROSS REFERENCES

CONTITECH	4159 N P03
PHOENIX	1 DK 23 L-27
VIBRACOUSTIC	V1DK23L-40
GART	278.4.511/1
GOODYEAR	1R12-701

OEM PART NO

SAMRO	H2500425
-------	----------



Product Explanation | Aluminum Complete Air Springs

Pallet Quantity : 28

Product Weight : 8,3 Kg.

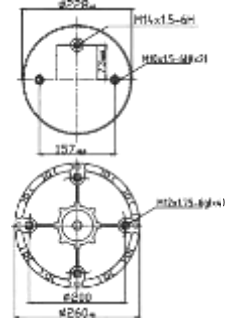
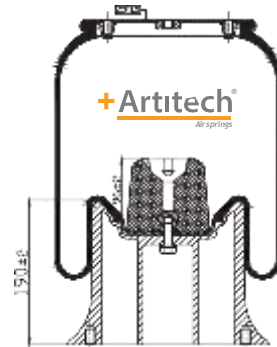
CODE
A4.4159.CAL07

CROSS REFERENCES

FIRESTONE	1T15M-9
FIRESTONE	W01 M58 7308
GOODYEAR	1R12-713

OEM PART NO

SCANIA	1314905
--------	---------



Product Explanation | Aluminum Complete Air Springs

Pallet Quantity : 28

Product Weight : 9 Kg.

+Artitech[®]
Air springs

TEL : +90 (224) 441 20 82

Kayapa Organize Sanayi Bölgesi
Menekşe Caddesi No: 10
Nilüfer - Bursa / Türkiye

info@artitechautomotive.com

www.artitechautomotive.com